





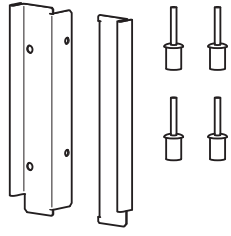

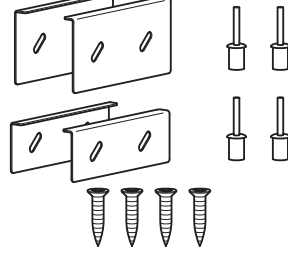

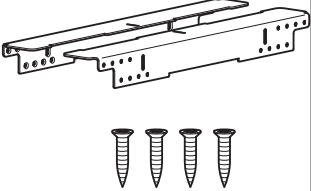

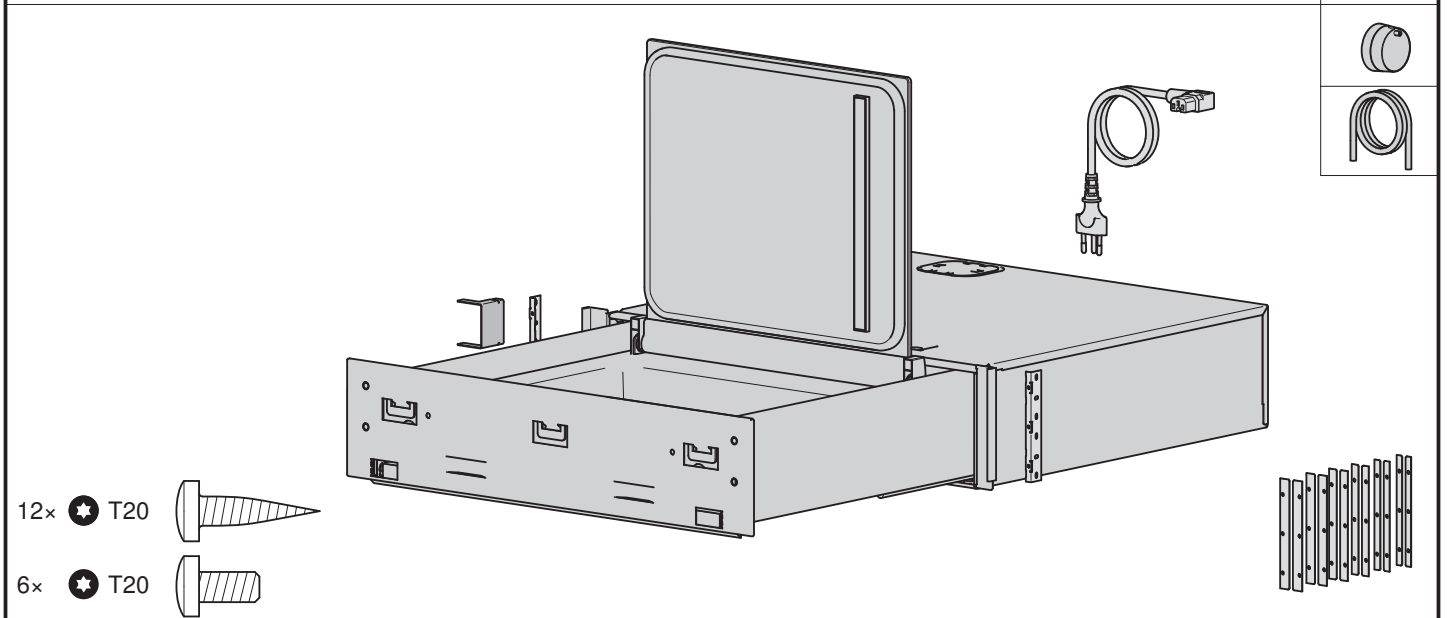
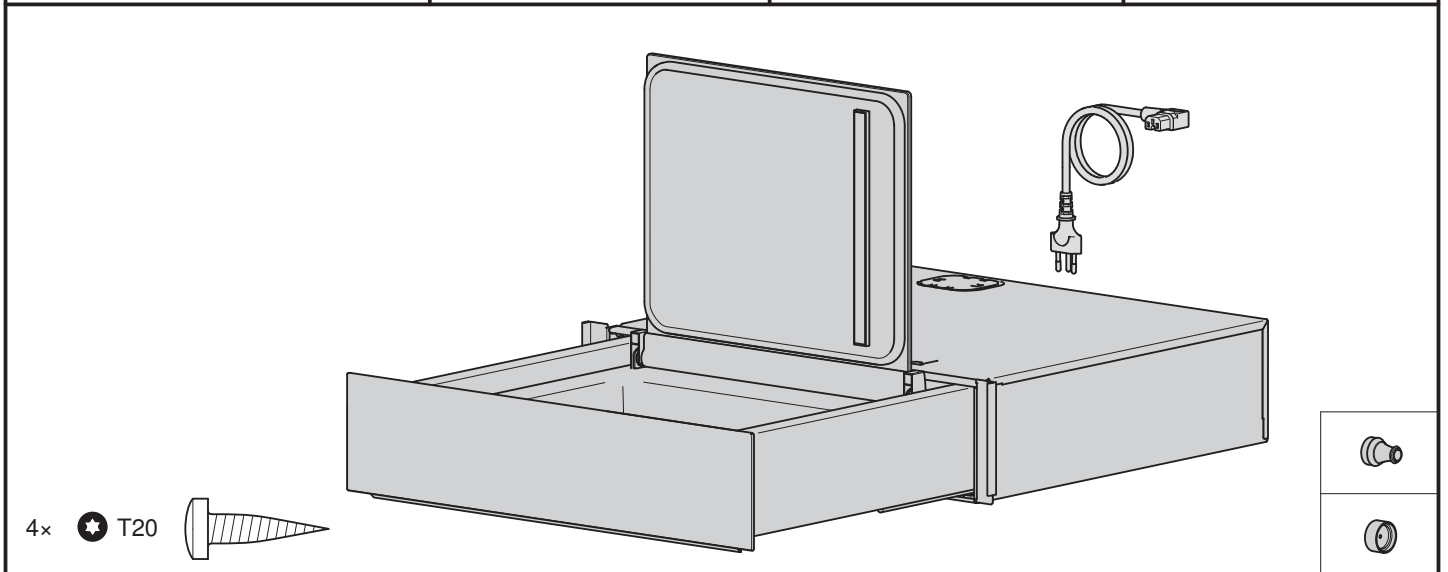
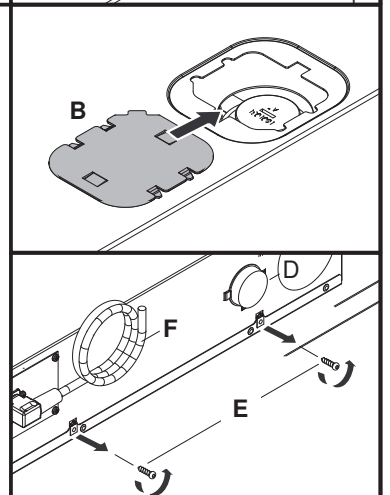
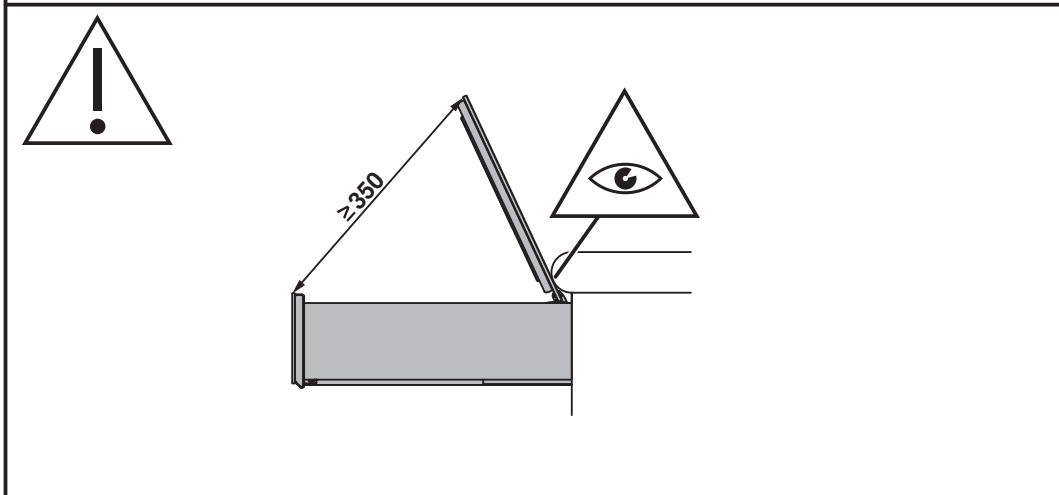
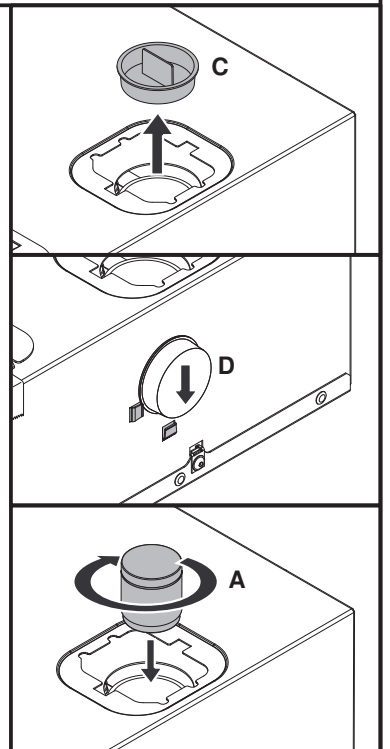
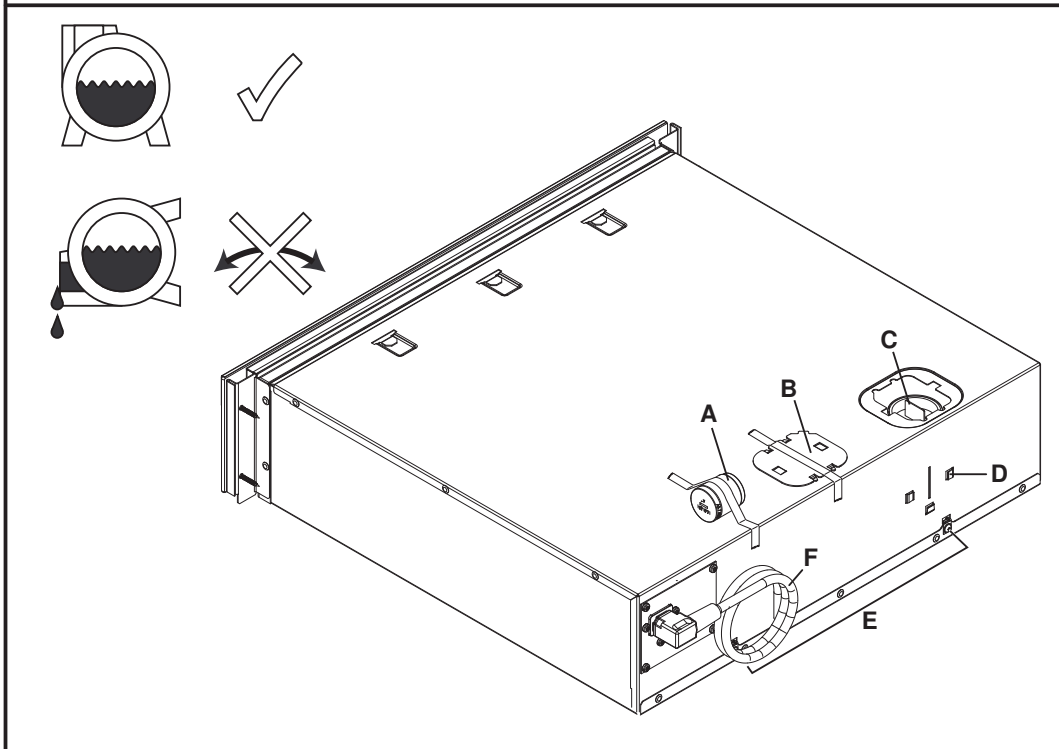
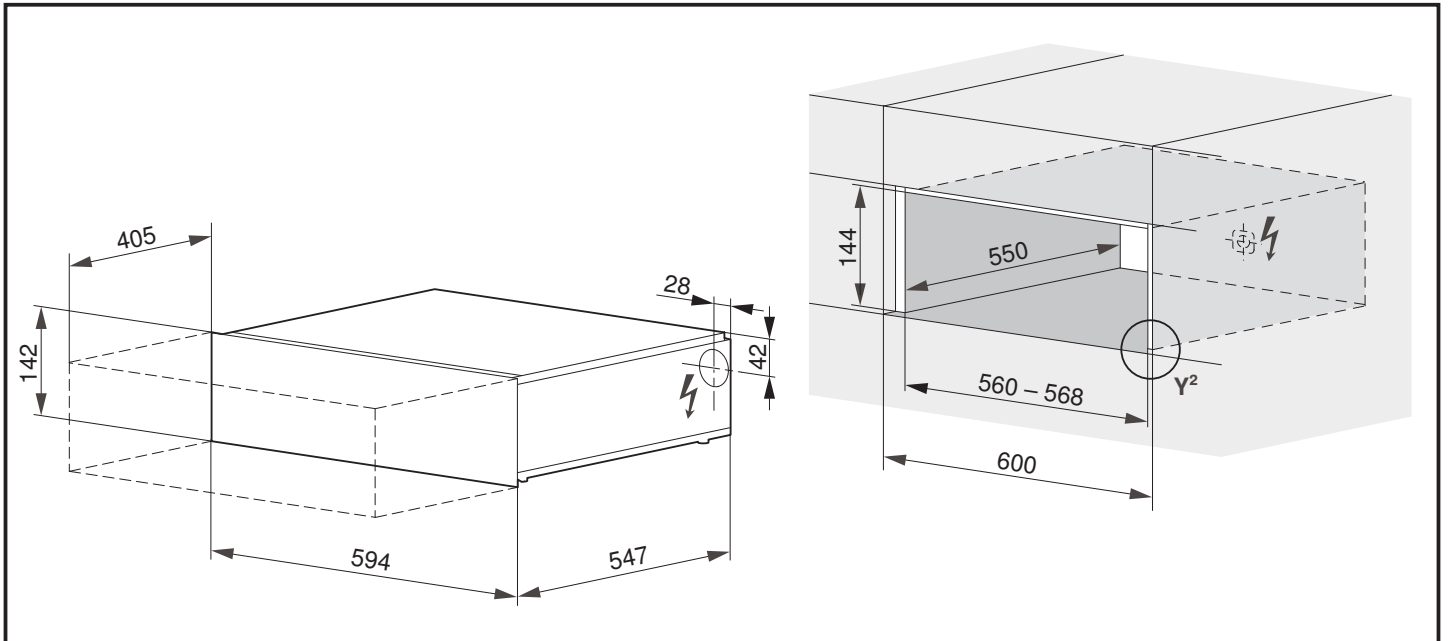
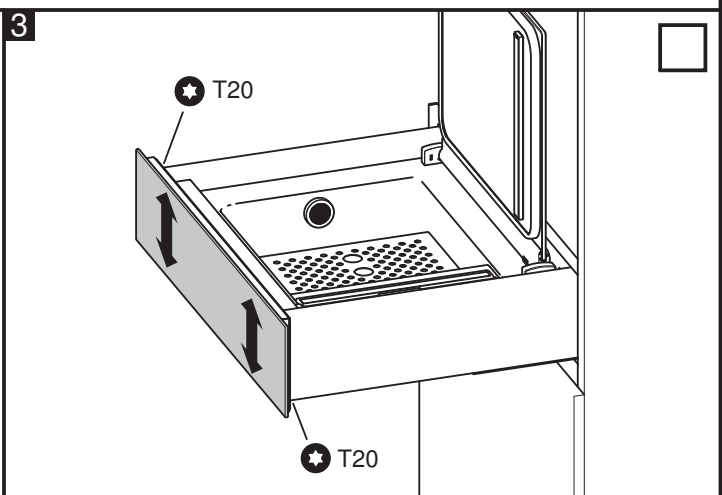
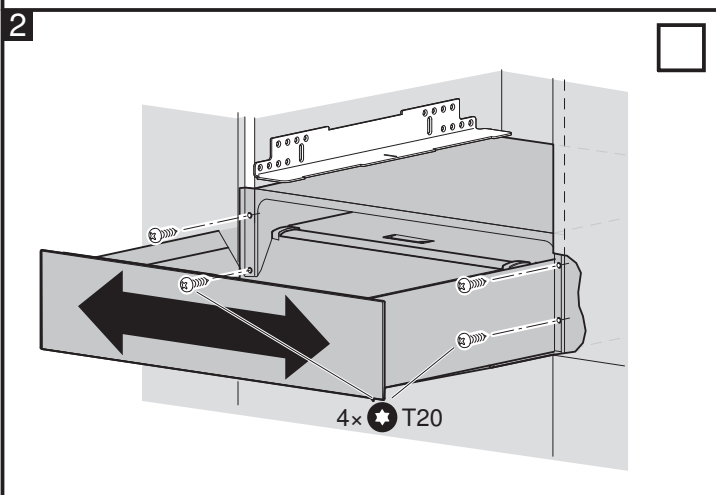
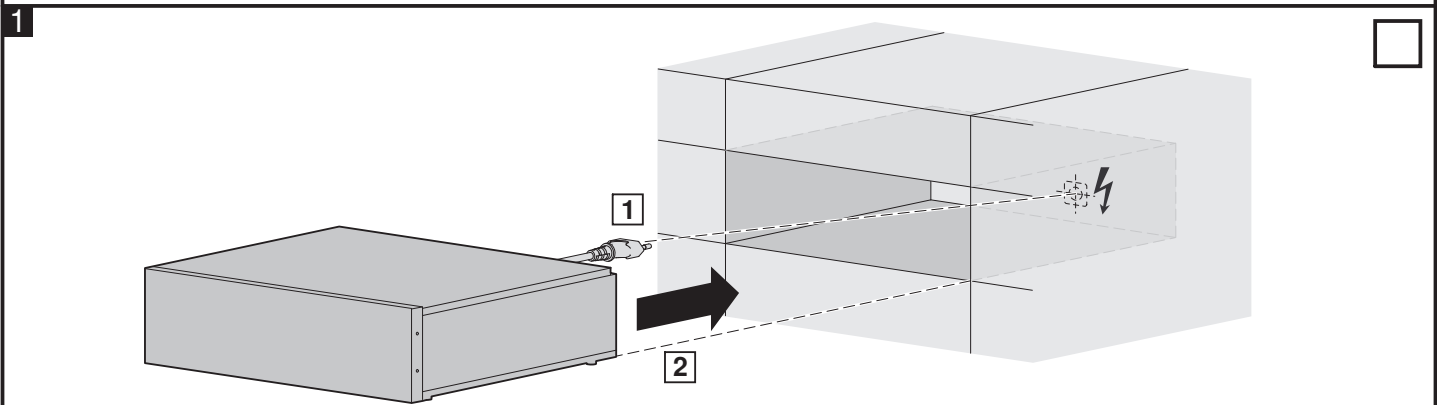
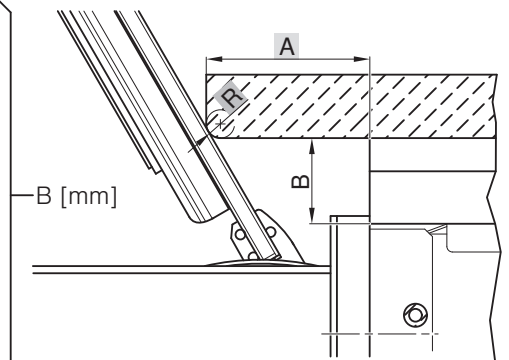
 <p>1 ... 6</p>	 <p>36001 36003 36004 36005</p>		
    	 <p>1056472</p> 	 <p>1016692</p> 	 <p>K50572</p> 







		R [mm]					
		0	2	4	6	8	10
A [mm]	36	5.528					
	38	8.992	7.528	6.064			
	40	12.456	10.992	9.528	8.064	6.600	5.136
	42	15.920	14.456	12.992	11.528	10.064	8.600
	44	19.384	17.920	16.456	14.992	13.528	12.064
	46	22.848	21.384	19.920	18.456	16.992	15.528
	48	26.313	24.848	23.384	21.920	20.456	18.992
	50	29.777	28.313	26.848	25.384	23.920	22.456
	52	33.241	31.777	30.313	28.848	27.384	25.920
	54	36.705	35.241	33.777	32.313	30.848	29.384
	56	40.169	38.705	37.241	35.777	34.313	32.848
	58	43.633	42.169	40.705	39.241	37.777	36.313
60	47.097	45.633	44.169	42.705	41.241	39.777	





		R [mm]					
		0	2	4	6	8	10
A [mm]	24	7.850	6.386				
	26	11.314	9.850	8.386	6.922	5.458	
	28	14.778	13.314	11.850	10.386	8.922	7.458
	30	18.243	16.778	15.314	13.850	12.386	10.922
	32	21.707	20.243	18.778	17.314	15.850	14.386
	34	25.171	23.707	22.243	20.778	19.314	17.850
	36	28.635	27.171	25.707	24.243	22.778	21.314
	38	32.099	30.635	29.171	27.707	26.243	24.778
	40	35.563	34.099	32.635	31.171	29.707	28.243
	42	39.027	37.563	36.099	34.635	33.171	31.707
	44	42.491	41.027	39.563	38.099	36.635	35.171
	46	45.955	44.491	43.027	41.563	40.099	38.635
	48	49.419	47.955	46.491	45.027	43.563	42.099

