

Instruction Manual

Manuel d'Instructions

Bedienungsanleitung

Manual de instrucciones

Εγχειρίδιο οδηγιών

Руководство по эксплуатации

Gebruiksaanwijzing

Kullanım Kilavuzu

INDEX

EN

RECOMMENDATIONS AND SUGGESTIONS	4
CHARACTERISTICS	7
INSTALLATION	8
USE	15
MAINTENANCE	17

SOMMAIRE

FR

CONSEILS ET SUGGESTIONS	20
CARACTERISTIQUES	23
INSTALLATION	24
UTILISATION	31
ENTRETIEN	33

INHALTSVERZEICHNIS

DE

EMPFEHLUNGEN UND HINWEISE	36
CHARAKTERISTIKEN	39
MONTAGE	40
BEDIENUNG	47
WARTUNG	49

ÍNDICE

ES

CONSEJOS Y SUGERENCIAS	52
CARACTERÍSTICAS	55
INSTALACIÓN	56
USO	63
MANTENIMIENTO	65

ΠΕΡΙΕΧΟΜΕΝΑ

GR

ΣΥΜΒΟΥΛΕΣ ΚΑΙ ΣΥΣΤΑΣΕΙΣ	68
ΧΑΡΑΚΤΗΡΙΣΤΙΚΑ	71
ΕΓΚΑΤΑΣΤΑΣΗ	72
ΧΡΗΣΗ	79
ΣΥΝΤΗΡΗΣΗ	81

УКАЗАТЕЛЬ

RU

СОВЕТЫ И РЕКОМЕНДАЦИИ	84
ХАРАКТЕРИСТИКИ	87
УСТАНОВКА	88
ЭКСПЛУАТАЦИЯ	95
УХОД	97

INHOUDSOPGAVE

NL

ADVIEZEN EN SUGGESTIES.....	100
EIGENSCHAPPEN	103
INSTALLATIE.....	104
GEBRUIK.....	111
ONDERHOUD.....	113

İÇERİKLER

TR

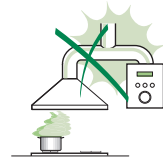
TAVSİYELER VE ÖNERİLER.....	116
ÖZELLİKLER.....	119
MONTAJ.....	120
KULLANIM	127
BAKIM	129

RECOMMENDATIONS AND SUGGESTIONS

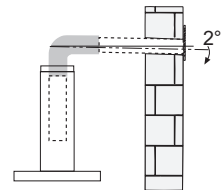
- △ The Instructions for Use apply to several versions of this appliance. Accordingly, you may find descriptions of individual features that do not apply to your specific appliance.

INSTALLATION

- The manufacturer will not be held liable for any damages resulting from incorrect or improper installation.
- The minimum safety distance between the cooker top and the extractor hood is 650 mm (some models can be installed at a lower height, please refer to the paragraphs on working dimensions and installation).
- Check that the mains voltage corresponds to that indicated on the rating plate fixed to the inside of the hood.
- For Class I appliances, check that the domestic power supply guarantees adequate earthing.



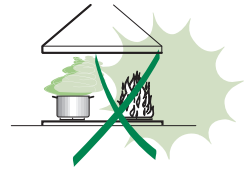
- Connect the extractor to the exhaust flue through a pipe of minimum diameter 120 mm. The route of the flue must be as short as possible.
- Do not connect the extractor hood to exhaust ducts carrying combustion fumes (boilers, fireplaces, etc.).
 - If the extractor is used in conjunction with non-electrical appliances (e.g. gas burning appliances), a sufficient degree of aeration must be guaranteed in the room in order to prevent the backflow of exhaust gas. The kitchen must have an opening communicating directly with the open air in order to guarantee the entry of clean air. When the cooker hood is used in conjunction with appliances supplied with energy other than electric, the negative pressure in the room must not exceed 0,04 mbar to prevent fumes being drawn back into the room by the cooker hood.
 - The air must not be discharged into a flue that is used for exhausting fumes from appliances burning gas or other fuels (not applicable to appliances that only discharge the air back into the room).
 - In the event of damage to the power cable, it must be replaced by the manufacturer or by the technical service department, in order to prevent any risks.



- If the instructions for installation for the gas hob specify a greater distance specified above, this has to be taken into account. Regulations concerning the discharge of air have to be fulfilled.
- Use only screws and small parts in support of the hood.
Warning: Failure to install the screws or fixing device in accordance with these instructions may result in electrical hazards.
- Connect the hood to the mains through a two-pole switch having a contact gap of at least 3 mm.

USE

- The extractor hood has been designed exclusively for domestic use to eliminate kitchen smells.
- Never use the hood for purposes other than for which it has been designed.
- Never leave high naked flames under the hood when it is in operation.
- Adjust the flame intensity to direct it onto the bottom of the pan only, making sure that it does not engulf the sides.
- Deep fat fryers must be continuously monitored during use: overheated oil can burst into flames.
- Do not flambè under the range hood; risk of fire.
- This appliance can be used by children aged from 8 years and above and persons with reduced physical, sensory or mental capabilities or lack of experience and knowledge if they have been given supervision or instruction concerning use of the appliance in a safe way and understand the hazards involved. Children shall not play with the appliance. Cleaning and user maintenance shall not be made by children without supervision.
- This appliance is not intended for use by persons (including children) with reduced physical, sensory or mental capabilities, or lack of experience and knowledge, unless they have been given supervision or instruction concerning use of the appliance by a person responsible for their safety.




- **“CAUTION:** Accessible parts may become hot when used with cooking appliances.”

MAINTENANCE

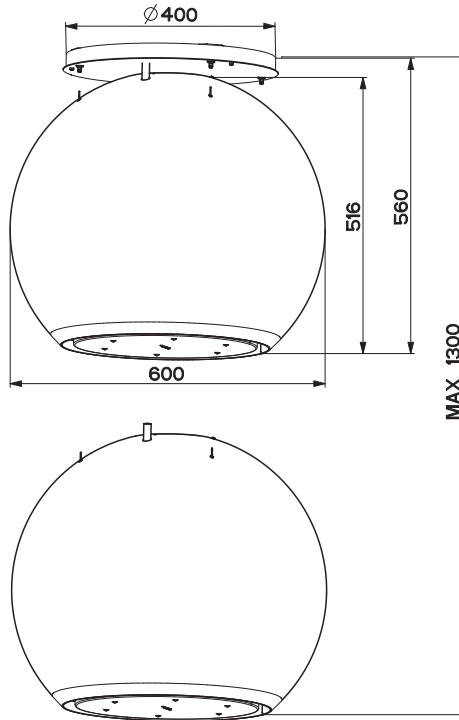
- Switch off or unplug the appliance from the mains supply before carrying out any maintenance work.
- Clean and/or replace the Filters after the specified time period (Fire hazard).
- The Grease filters must be cleaned every 2 months of operation, or more frequently for particularly heavy usage, and can be washed in a dishwasher.
- The Activated charcoal filter is not washable and cannot be regenerated, and must be replaced approximately every 4 months of operation, or more frequently for particularly heavy usage.
- "Failure to carry out cleaning as indicated will result in a fire hazard".
- Clean the hood using a damp cloth and a neutral liquid detergent.



The symbol  on the product or on its packaging indicates that this product may not be treated as household waste. Instead it shall be handed over to the applicable collection point for the recycling of electrical and electronic equipment. By ensuring this product is disposed of correctly, you will help prevent potential negative consequences for the environment and human health, which could otherwise be caused by inappropriate waste handling of this product. For more detailed information about recycling of this product, please contact your local city office, your household waste disposal service or the shop where you purchased the product.

CHARACTERISTICS

Dimensions

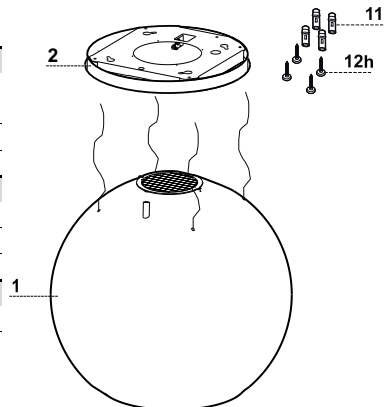


Components

Ref.	Q.ty	Product Components
1	1	Hood Canopy complete with: Controls, Light, Filters, Motor.
2	1	Hood support plate.

Ref.	Q.ty	Installation Components
11	4	Wall plugs ϕ 10
12h	4	Screws 4.2 x 44.4

Q.ty	Documentation
1	Instruction Manual



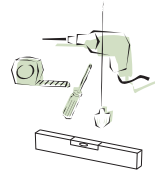
INSTALLATION

This hood is designed to be mounted on the ceiling/on a shelf, above a free-standing Hob (min. 650 mm), in:

- **Recirculation version:** Internal recirculation.

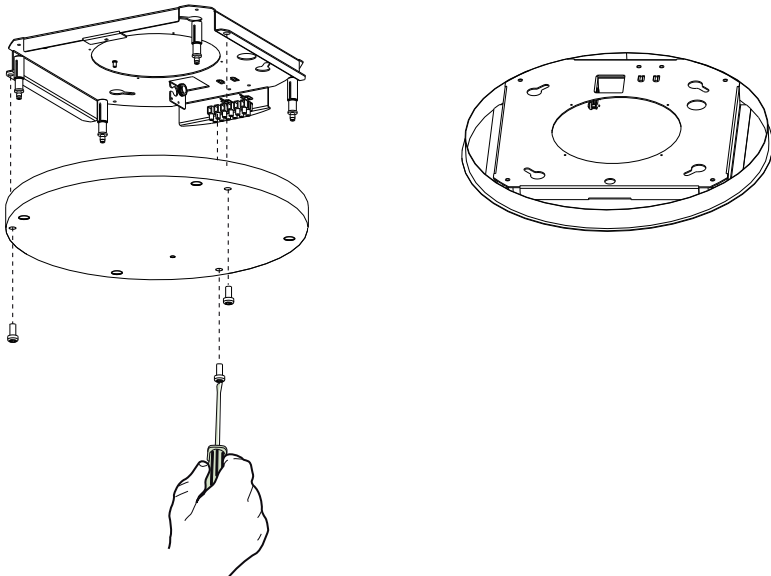
Sequence of operations - Installation

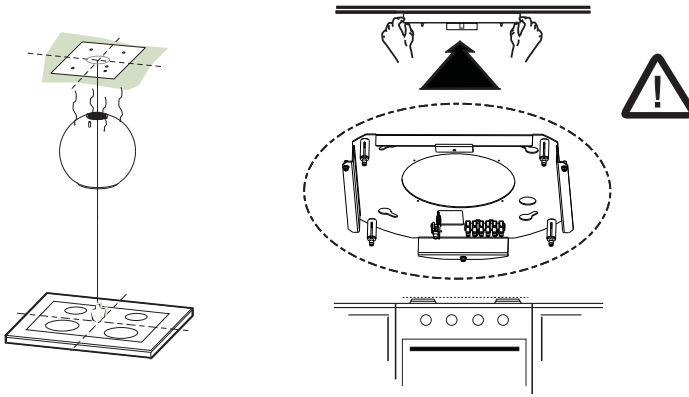
- **Preparing for installation**
- **Drilling the Ceiling/Shelf and Fixing the support plate**
- **Connections**
- **Fitting the hood body**
- **Functional Check**
- **Disposal of Packaging**



Opening Plate and preparing for assembly

- Unfasten the screws joining the plate to its cover.
- Take the plate and position it in the correct direction, as shown in the figure.





Ceiling/Shelf drilling and Plate Fixing

CEILING/SHELF DRILLING

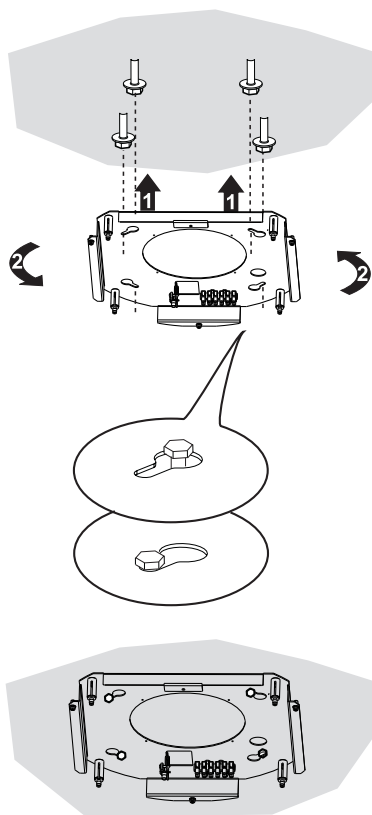
- Use a plumb-line and mark the centre of the cooking hob on the Support Ceiling/Shelf
- Rest the Plate against the Ceiling/Shelf, making sure it is the right way up, as shown in the figure.
- Mark the centres of the holes in the plate.
- Drill the following points:
 - Ceilings in solid concrete: As per concrete plugs used.
 - Ceilings in hollow bricks with 20 mm resistance thickness: Drill a hole \varnothing 10 mm (insert Plugs **11** supplied immediately).
 - Ceilings with Wood Beams: As per Wood Screws used (not supplied).
 - Wooden shelf, with a resistant thickness of 15 mm: drill a hole \varnothing 7 mm.
 - Feeding the electric supply cable: drill a hole \varnothing 10 mm.
- Insert two screws, crossing them and leaving 4-5 mm from the ceiling:
 - for solid concrete, concrete plugs, not provided.
 - for hollow bricks with approx. 20 mm resistance thickness, screws **12h**, provided.
 - for wooden beams, wood screws, not provided.
 - for wooden shelves, screws with washers and nuts, not provided.

FIXING THE PLATE

- Lift up the Fixing plate and fit the slots onto the two screws previously inserted in the ceiling, and turn until they are at the centre of the adjustment slot.

Warning: The plate must be facing in the direction shown in the figure

- Tighten the two screws completely and screw in the other two provided; before locking the screws completely it is possible to make adjustments by turning the piece, making sure that the screws do not come out of the adjustment slot.
- The unit must be securely fastened both due to the weight of the Hood and the stress caused by occasional sideways pressure on the Appliance when in position. Once the unit has been fixed, make sure that the plate is stable.
- In all cases where the Ceiling is not sufficiently strong at the point of suspension, the Installation technician must strengthen it with suitable plates and counterplates, anchored to structurally sound elements.
- Check that the plate is level on the ceiling.



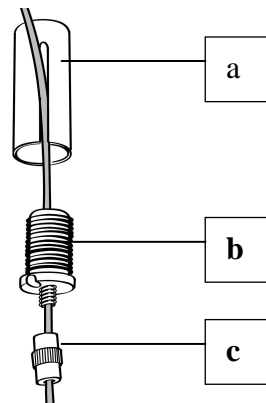
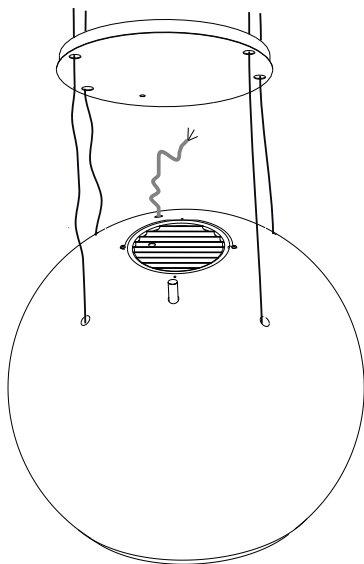
CONNECTING HOOD-PLATE CABLES

N.B. Before proceeding with installation the Hood must be raised to a height of at least 650 mm above the cooker hob by means of a support or with the assistance of another person. Take care not to exceed the maximum hood extension indicated in the dimensional drawing.

⚠ This operation is essential, as the Hood Cables are to be connected to the Plate mounted on the ceiling, and this **must** be done without the weight of the Hood bearing down on the structure.

The system used to fix the 4 Cables comprises 3 components:

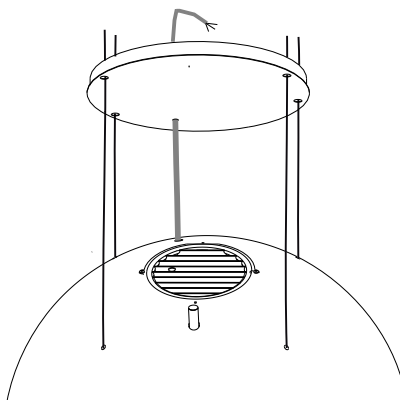
- Threaded pawl (a) already mounted on the ceiling Plate.
- Cable locking screw (b), provided.
- Safety knob (c), provided.



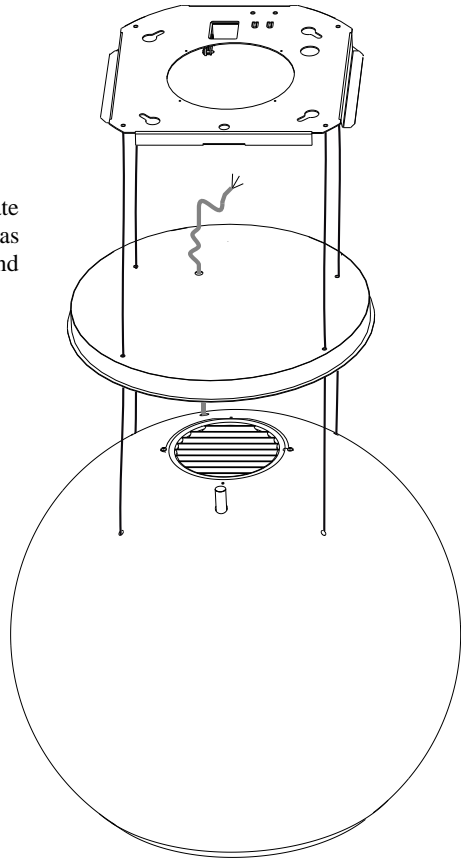
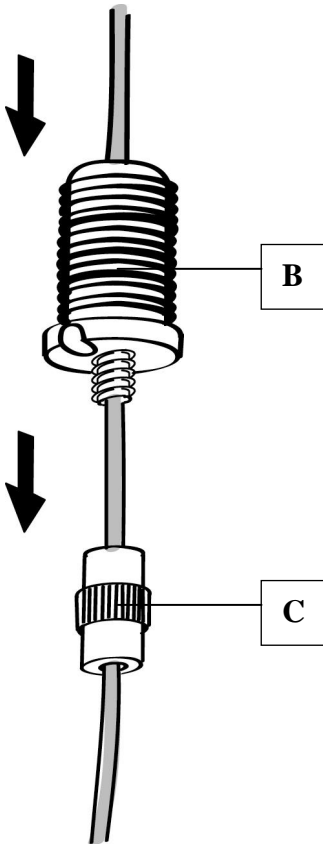
- Pass the 4 cables (connected to the hood canopy) through the respective holes in the plate cover, after opening it as above, making sure that it faces in the same direction as the plate connected to the ceiling.

- Insert the hood power supply cable into the hole provided in the cover.

Warning: Do not break or remove the tie that fixes the power supply cable to the hood



- Pay attention to the direction of the plate fixed to the ceiling (the plate limit pawl has a corresponding hole on the plate cover and on the hood canopy).

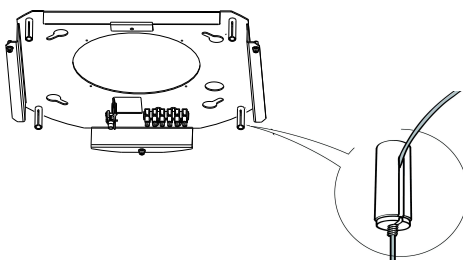


- Insert the safety knobs (c) into the respective cables, with the thread to the top.
- Insert the cable locking screws (b) into the respective cables.

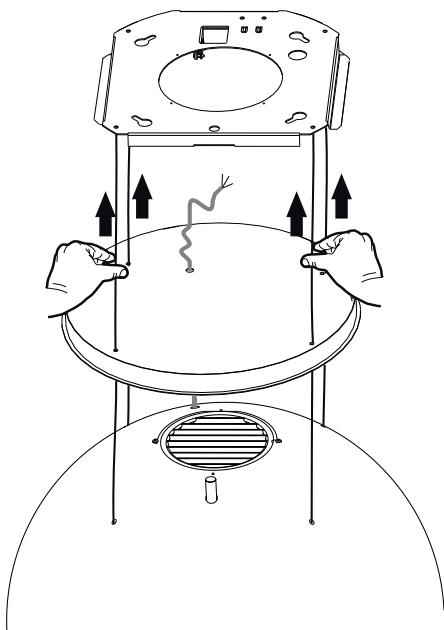
- Pass the Cables into the slots on the threaded pawls (a) and tighten the cable locking screws (b) into the pawls themselves.



- When the operation has been completed, the result should be as shown in the figure for all 4 cables.



- At this point, all 4 cables are now connected to the Plate.



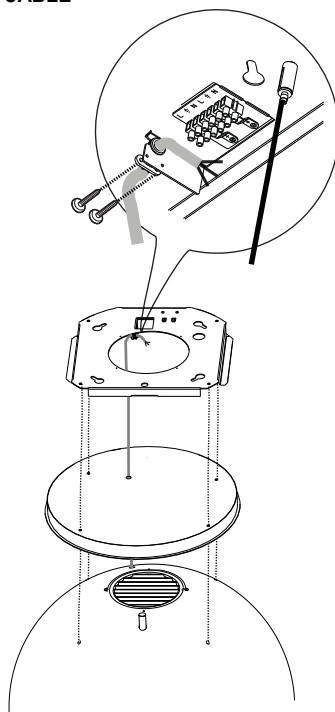
Tension the Cables by pushing them upwards, so that they slide inside the cable locking screw and out through the slot in the threaded pawl.

This is possible because the cable locking screw involves a system that allows the Cable to slide in one direction only, preventing it from sliding in the other direction.

Make sure that the cables are all the same length, to facilitate final levelling operations, and that the front left cable is not slacker than the others.

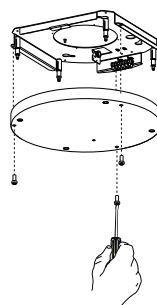
FIXING THE POWER SUPPLY CABLE

- Tighten the power supply cable and fix it to the bracket on the ceiling-mounted plate, using the tongue already mounted and 2 screws.
- Slot the rubber cable raceway already threaded onto the power cable into the slot to prevent future damage.
- Connect the Hood to the Mains Power Supply, inserting a bipolar switch with a contact aperture of at least 3 mm.
- Remove the Grease filters (see paragraph “Maintenance”) and make sure that the Power cable connector has been properly inserted into the Suction fan socket.
- At this point it is possible to remove the tie fixing the power supply cable to the hood canopy.



FITTING THE PLATE COVER

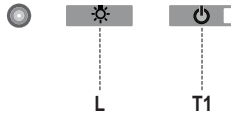
- Screw the cover back onto the plate using the screws removed as described above.



AIR OUTLET – RECIRCULATION VERSION

- Open the lighting unit by pulling on the notch provided.
- Remove the grease filter.
- Make sure that the Activated charcoal odour filter has been fitted.

Control panel



Button	Function	Display
L	Turns the lights On/Off.	-
T1	Hood Down Press for 2 seconds to raise the Hood. Press briefly to turn the Motor On/Off.	On/Off
	Hood Up Press once: The Hood lowers. Press a second time: The Hood Stops. When the movement has been completed the motor turns on at Speed two.	Off/Off

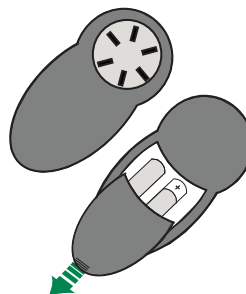
The electronic control system recognises and signals two types of fault.

Led T1	
Slow flashing	<p>Current absorption threshold exceeded: If an overload condition occurs, the fault is signalled by LED T1 on the keyboard flashing once every 2 seconds. Check that nothing is blocking normal hood movements. The signal remains active until a new hood open/close command is given.</p>
Rapid flashing	<p>Hood opening safety microswitch tripped: If the safety microswitch trips, the fault is signalled by LED T1 on the keyboard flashing quickly (once every 250 ms). This means that the hood has passed the microswitch..... Call Technical Assistance!</p> <p>You can continue to use the hood's light and motor functions while this fault is active. Whenever the motor is on, LED T1 will continue to flash, indicating that the fault is still present.</p>

REMOTE CONTROL

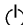





The appliance can be controlled using a remote control powered by a 1.5 V carbon-zinc alkaline batteries of the standard LR03-AAA type (not included).

- Do not place the remote control near to heat sources.
- Used batteries must be disposed of in the proper manner.



Control panel



Button	Function	Display
	Turns the Motor On/Off.	-
	Hood Closed: - Press the button briefly to start lowering the hood - It will stop when the button is pressed again. When the movement has been completed the motor will start at speed 2.	-
	Hood Open: - Press and hold for 2 seconds to activate raising of the hood, which stops when it reaches the stop. - Press (briefly) to stop the movement (before the stop is reached). - Press again briefly to turn the motor on/off. - Press and hold for 2 seconds to start raising of the hood. - If the motor is on, it will first stop the motor and then start the movement.	-
	Decreases the speed of the Motor.	-
	Increases the speed of the Motor.	-
	INTENSIVE - This can only be activated with the hood lowered and when the delay or 24h functions are not active. - Activates Intensive speed from any other speed. To disable it, simply press the same button again or turn the motor off. - Intensive speed is timed to run for 6 minutes. At the end of the 6 minutes the system will automatically return to the speed that was set before.	The led on the motor button (on the hood controls) will flash once a second.
	Press briefly for the Delay Function: Can only be activated if the Intensive or 24h function is not active. Activates and deactivates total shutdown of the hood (motor+lights) after 30 minutes: To disable the Delay, simply press the button again or turn the motor off.	The led on the motor button (on the hood controls) will flash once every 0.5 seconds.
	Press and hold for 2 sec. for the 24H Function: Can only be activated if the Intensive or Delay function is not active. Activates and deactivates the 24H function for 10 minutes every hour, for 24 hours. After this time it is deactivated.	The led on the motor button (on the hood controls) will flash once every 2 seconds.
	Turns the Hood lights On/Off.	

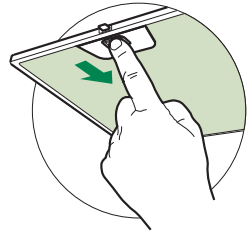
MAINTENANCE

Grease filter

The filter must be cleaned every 2 months of operation, or more frequently for particularly heavy usage, and can be washed in a dishwasher.

CLEANING METAL SELF- SUPPORTING GREASE FILTER

- Open the lighting unit by pulling on the noth.
- Remove the filter one by one pushing it towards the back side of the hood unit and simultaneously pulling downwards.
- Any kind of bending of the filter has to be avoided when washing it. Before fitting it again into the hood make sure that it is completely dry.
- When fitting the filter into the hood pay attention that they are mounted in correct position the handle facing outwards.
- Replace the lighting unit.

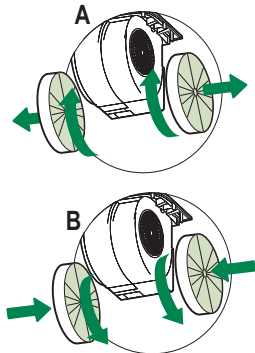


Activated Charcoal Filter (Recirculation Version)

This cannot be washed or regenerated, and must be changed approximately once every 4 months, or more frequently in the case of particularly intensive use.

CHANGING

- Open the light unit.
- Remove grease filter.
- Remove the saturated Activated Charcoal Filters, as indicated (A).
- Fit the new Filters, as indicated (B).
- Fit the anti-grease filter and the Light Unit back into position.



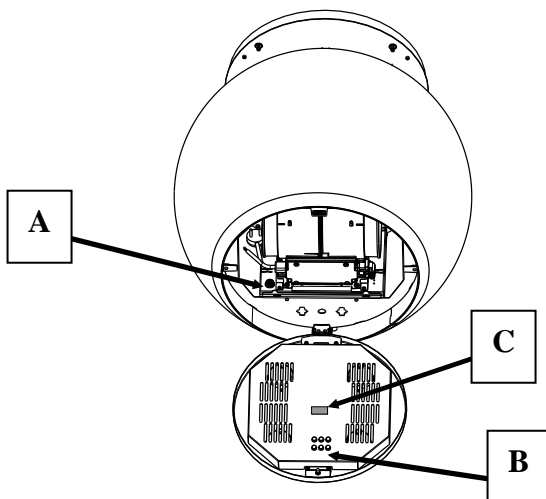
Lighting unit

- For replacement contact technical support ("To purchase contact technical support").

Hood canopy lighting

It is possible to adjust the colour and intensity of the hood canopy lighting

- Open the lighting unit by pulling on the notch provided.
- Adjust the lighting, using the buttons on button pad **B**, following the indications provided on the label **C**

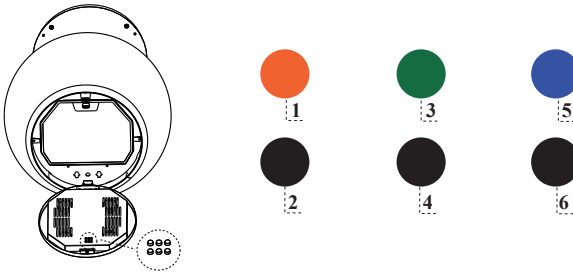


Procedure to be used in case of malfunction on the movement

1. Check that the fuse is properly inserted and that it has not burned out, for replacing the fuse open the lighting unit and unscrew the fuser holder and replace it with one having the same characteristics (Rif.**A**)
2. Check that the hood canopy is fitted level.
3. Check that the four cables are all at the same tension.

If even these operations do not solve the problem contact the Technical Assistance.

Adjusting Hood canopy lighting



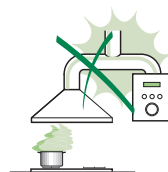
Button	Colour	Function
1	Red	Manages the intensity of the colour Red. Press and hold the button to increase or decrease the intensity each time you press. The maximum and minimum intensity limits are marked by a brief flash of the selected colour on the lamp.
2	Black	Manages the speed at which colours change when both the programs for Button 4 are used. The speed increases or decreases each time it is pressed. The decrease is indicated by a brief flash. They are disabled by pressing Button 6.
3	Green	Manages the intensity of the colour Green. Press and hold the button to increase or decrease the intensity each time you press. The maximum and minimum intensity limits are marked by a brief flash of the selected colour on the lamp.
4	Black	Manages the 2 colour change programs: Blended or Intermittent. They are disabled by pressing Button 6.
5	Blue	Manages the intensity of the colour Blue. Press and hold the button to increase or decrease the intensity each time you press. The maximum and minimum intensity limits are marked by a brief flash of the selected colour on the lamp.
6	Black	Light On / Off Initially when turned On the colour of the Hood is White. It can be modified as desired by increasing or decreasing the intensity of colours using the buttons (1-3-5). To return to the original state simply increase the intensity of all 3 colours to maximum using the buttons (1-3-5). The current colour setting can be stored by pressing and holding the button for 3 seconds.

CONSEILS ET SUGGESTIONS

- △ Les instructions pour l'utilisation se réfèrent aux différents modèles de cet appareil. Par conséquent, certaines descriptions de caractéristiques particulières pourraient ne pas appartenir spécifiquement à cet appareil.

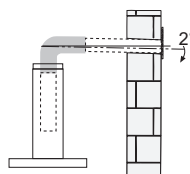
INSTALLATION

- En aucun cas le fabricant ne peut être tenu pour responsable d'éventuels dommages dus à une installation ou à une utilisation impropre.
- La distance de sécurité minimum entre le plan de cuisson et la hotte aspirante est de 650 mm (certains modèles peuvent être installés à une hauteur inférieure ; voir le paragraphe concernant les dimensions de travail et l'installation).
- Assurez-vous que la tension de votre secteur correspond à celle indiquée sur la plaque des données appliquée à l'intérieur de la hotte.
- Pour les appareils de Classe I, s'assurer que l'installation électrique de votre intérieur dispose d'une mise à la terre adéquate.



Relier l'aspirateur au conduit de cheminée avec un tube d'un diamètre minimum de 120 mm. Le parcours des fumées doit être le plus court possible.

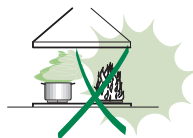
- Ne pas relier la hotte aspirante aux conduits de cheminée qui acheminent les fumées de combustion (par exemple de chaudières, de cheminées, etc.).
- Si vous utilisez l'aspirateur en combinaison avec des appareils non électriques (par ex. appareils à gaz), vous devez garantir un degré d'aération suffisant dans la pièce, afin d'empêcher le retour du flux des gaz de sortie. La cuisine doit présenter une ouverture communiquant directement vers l'extérieur pour garantir l'amenée d'air propre. Si vous utilisez la hotte de cuisine en combinaison avec des appareils non alimentés à l'électricité, la pression négative dans la pièce ne doit pas dépasser 0,04 mbar afin d'éviter que la hotte ne réaspire les fumées dans la pièce.
- Ne pas évacuer l'air à travers un tube flexible utilisé pour l'aspiration des fumées des appareils alimentés au gaz ou avec d'autres combustibles (ne pas utiliser avec des appareils ayant une seule sortie d'air dans la pièce).
- Si le cordon d'alimentation est endommagé, veuillez le faire remplacer par le fabricant ou par un service après-vente agréé pour éviter tout risque d'accident.



- Si les instructions d'installation du plan de cuisson à gaz spécifient une distance supérieure à celle indiquée ci-dessus, veuillez impérativement en tenir compte. Toutes les normes concernant l'évacuation de l'air doivent être respectées.
- Utiliser exclusivement des vis et des petites pièces du type adapté pour la hotte.
Attention : toute installation des vis et des dispositifs de fixation non conforme aux présentes instructions peut entraîner des risques de décharges électriques.
- Brancher la hotte à l'alimentation de secteur avec un interrupteur bipolaire ayant une ouverture des contacts d'au moins 3 mm.

UTILISATION

- Cette hotte aspirante a été conçue exclusivement pour un usage domestique, dans le but d'éliminer les odeurs de cuisine.
- Ne jamais utiliser la hotte pour des objectifs différents de ceux pour lesquels elle a été conçue.
- Ne jamais laisser un feu vif allumé sous la hotte lorsque celle-ci est en fonction.
- Régler l'intensité du feu de manière à l'orienter exclusivement vers le fond de la casserole, en vous assurant qu'il ne déborde pas sur les côtés.
- Contrôler constamment les friteuses durant leur utilisation : l'huile surchauffée risque de s'incendier.
- Ne pas flamber des mets sous la hotte : sous risque de provoquer un incendie.
- Cet appareil n'est pas destiné à être utilisé par des enfants d'un âge inférieur à 8 ans, ni par des personnes dont les capacités physiques, sensorielles ou mentales sont diminuées ou qui ont une expérience et des connaissances insuffisantes, à moins que ces enfants ou ces personnes ne soient attentivement surveillés et instruits sur la manière d'utiliser cet appareil en sécurité et sur les dangers que cela comporte. Assurez-vous que les enfants ne jouent pas avec cet appareil. Le nettoyage et l'entretien de la part de l'utilisateur ne doivent pas être effectués par des enfants, à moins que ce ne soit sous la surveillance d'une personne responsable.
- Cet appareil n'est pas destiné à être utilisé par des personnes (enfants compris) dont les capacités physiques, sensorielles ou mentales sont diminuées ou ayant une expérience et des connaissances insuffisantes, à moins que ces personnes ne soient attentivement surveillées et instruites par un responsable de leur sécurité.




- **ATTENTION** : les parties accessibles peuvent devenir très chaudes durant l'utilisation des appareils de cuisson.

ENTRETIEN

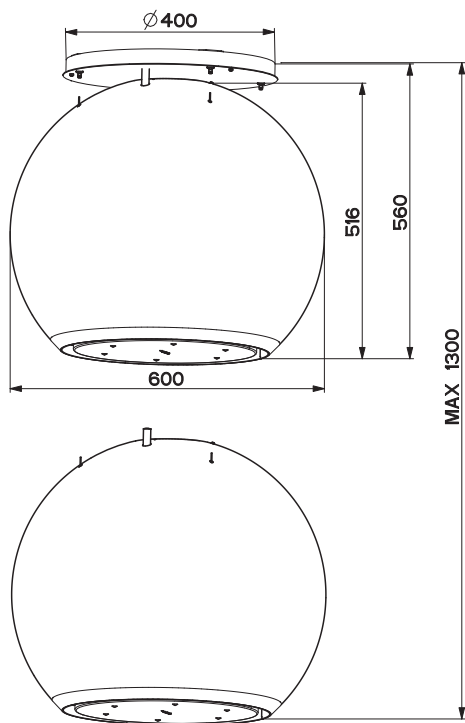
- Avant d'effectuer toute opération de nettoyage et d'entretien, éteindre ou débrancher l'appareil du secteur.
- Nettoyer et/ou remplacer les filtres après le délai indiqué (danger d'incendie).
- Nettoyer les filtres à graisse tous les 2 mois de fonctionnement ou plus souvent en cas d'utilisation particulièrement intense. Ces filtres peuvent être lavés au lave-vaisselle.
- Le filtre à charbon actif ne peut être ni lavé ni régénéré et il doit être remplacé environ tous les 4 mois de fonctionnement ou plus souvent en cas d'utilisation particulièrement intense.
- Effectuer le nettoyage selon les instructions, sous risque d'incendie.
- Nettoyer la hotte avec un chiffon humide et un détergent liquide neutre.



Le symbole  marqué sur le produit ou sur son emballage indique que ce produit ne peut pas être éliminé comme déchet ménager normal. Lorsque ce produit doit être éliminé, veuillez le remettre à un centre de collecte prévu pour le recyclage du matériel électrique et électronique. En vous assurant que cet appareil est éliminé correctement, vous participez à prévenir des conséquences potentiellement négatives pour l'environnement et pour la santé, qui risqueraient de se présenter en cas d'élimination inappropriée. Pour toute information supplémentaire sur le recyclage de ce produit, contactez votre municipalité, votre déchetterie locale ou le magasin où vous avez acheté ce produit.

CARACTERISTIQUES

Encombrement

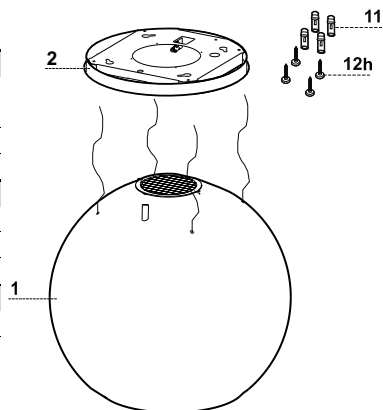


Composants

Réf.	Q.té	Composants du produit
1	1	Corps de hotte équipé de : commandes, lumière, filtres, moteur.
2	1	Plaque support hotte

Réf.	Q.té	Composants de l'installation
11	4	Cheilles \varnothing 10
12h	4	Vis 4,2 x 44,4

Q.té	Documentation
1	Manuel d'instructions



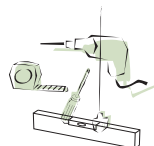
INSTALLATION

Cette hotte est prévue pour être installée au plafond/étagère, au-dessus (650 mm min.) d'un plan de cuisson en îlot en :

- **Version filtrante** Recirculation intérieure.

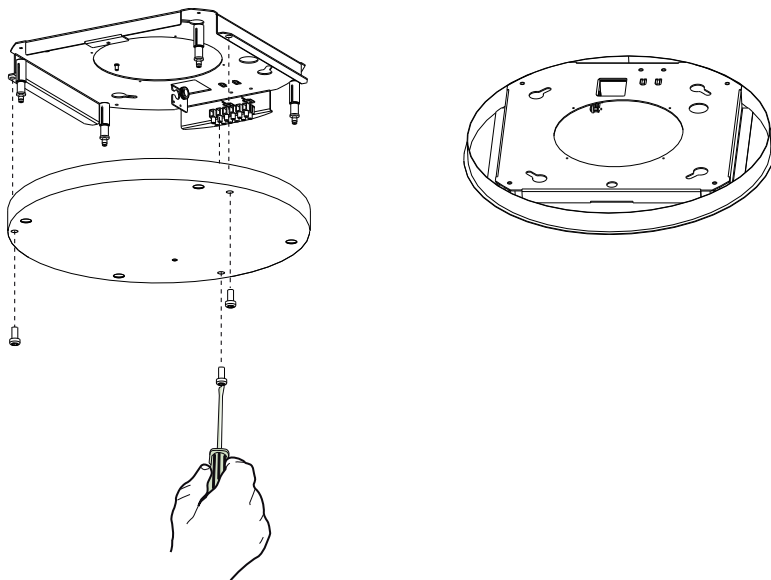
Séquence opérations d'installation

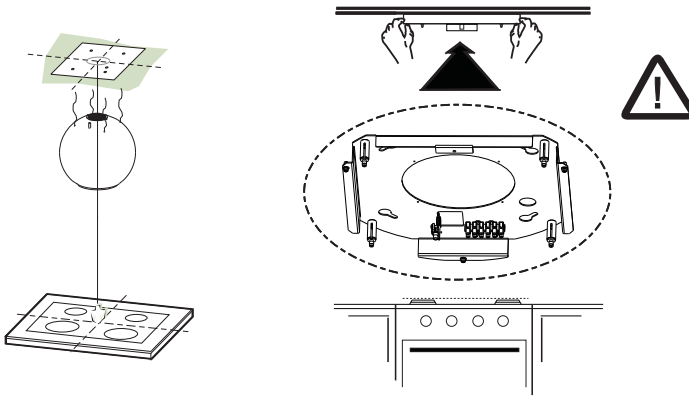
- Préparation à l'installation
- Perçage plafond/étagère et fixation plaque de support
- Connexions
- Montage du corps de hotte
- Contrôle fonctionnel
- Élimination des emballages



Ouverture de la plaque et préparation à son montage

- Desserrer les vis qui unissent la plaque à son couvercle.
- Prendre la plaque et la placer dans le sens correct comme indiqué dans la figure.





Perçage plafond/étagère et fixation plaque

PERÇAGE PLAFOND/ÉTAGÈRE

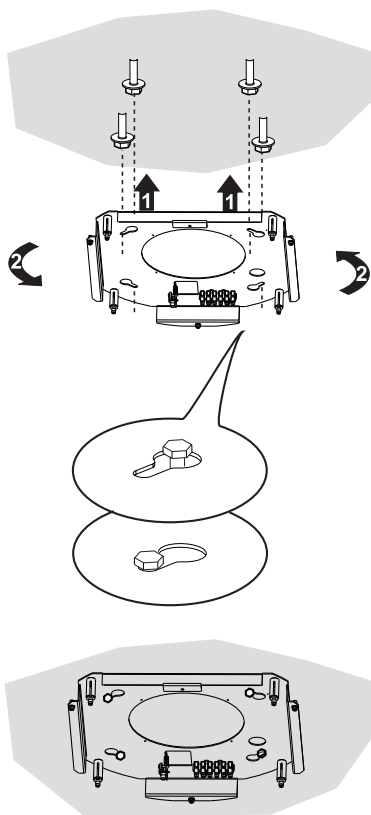
- À l'aide d'un fil à plomb, ramener sur le plafond/étagère de support le centre du plan de cuisson.
- Appuyer la plaque au plafond/étagère en veillant de la positionner dans le bon sens, comme indiqué dans la figure.
- Marquer les centres des trous de la plaque.
- Percer les points suivants :
 - Plafond en béton massif : selon les chevilles pour béton employées.
 - Plafond en béton et chambre à air, avec une épaisseur résistante de 20 mm : percer \varnothing 10 mm (insérer tout de suite les chevilles **11** fournies).
 - Plafond en poutres de bois : selon les vis pour bois employées (non fournies).
 - Étagère en bois, avec une épaisseur résistante de 15 mm : percer \varnothing 7 mm.
 - Passage du câble électrique d'alimentation : percer \varnothing 10 mm.
- Serrer en diagonale et en laissant 4-5 mm du plafond les deux vis :
 - pour béton massif, les chevilles pour béton, non fournies.
 - pour béton avec chambre à air, avec une épaisseur résistante d'environ 20 mm, vis **12h** fournies.
 - pour poutres de bois, vis pour bois, non fournies.
 - pour étagère de bois, vis avec rondelles et écrous non fournies.

FIXATION PLAQUE

- Soulever la plaque de fixation, emboîter les trous sur les deux vis précédemment prévues au plafond et tourner jusqu'au centre du trou de réglage.

Attention : Le sens de la plaque doit être celui indiqué dans la figure.

- Serrer les deux vis et visser les deux autres fournies ; avant de serrer définitivement les vis vous pouvez effectuer des réglages en tournant la pièce, en faisant attention à ce que les vis ne sortent pas du siège du réglage.
- La fixation doit être sûre, aussi bien par rapport au poids de la hotte qu'aux contraintes provoquées par des poussées latérales occasionnelles à l'appareil monté. À la fin de la fixation, vérifier que la plaque est stable.
- Au cas où le plafond ne serait pas suffisamment robuste dans le point de suspension, l'installateur devra le renforcer à l'aide de plaques et de contre-plaques opportunes ancrées sur des parties structurellement résistantes.
- Vérifier le nivellement de la plaque au plafond.



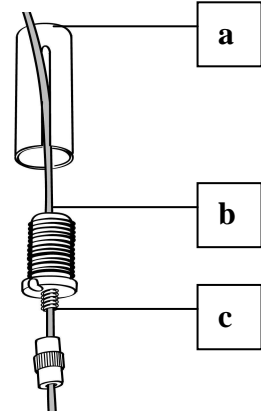
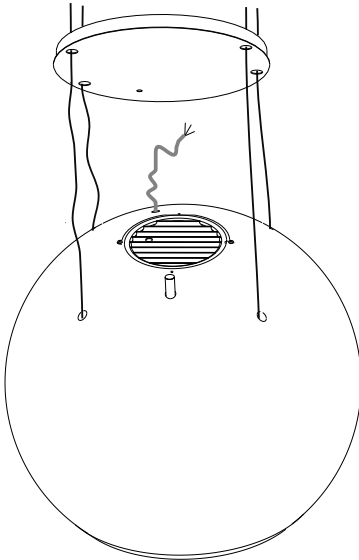
CONNEXION CÂBLES HOTTE-PLAQUE

N.B. Avant de commencer l'installation, il est nécessaire d'amener la hotte à une hauteur d'au moins 650 mm du plan de cuisson, avec un support ou en se faisant aider par une autre personne. Prendre garde de ne pas dépasser la cote maximum d'extension de la hotte indiquée dans le dessin dimensionnel.

⚠ Cette mesure est fondamentale, puisque les câbles de la hotte devant être branchés à la plaque montée au plafond, **il est impératif** d'éviter que le poids de la hotte puisse peser sur la structure.

Le système de fixation des 4 câbles est formé de 3 parties :

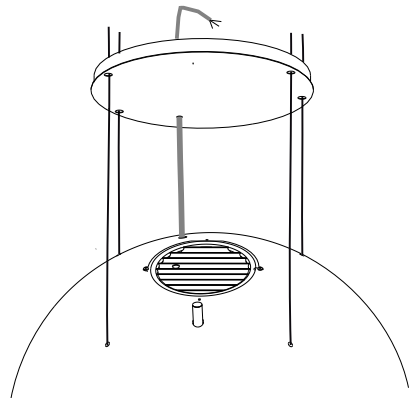
- Cliquet fileté (a) déjà monté sur la plaque de plafond.
- Vis serre-câble (b) fournie.
- Pommeau de sécurité (c) fourni.



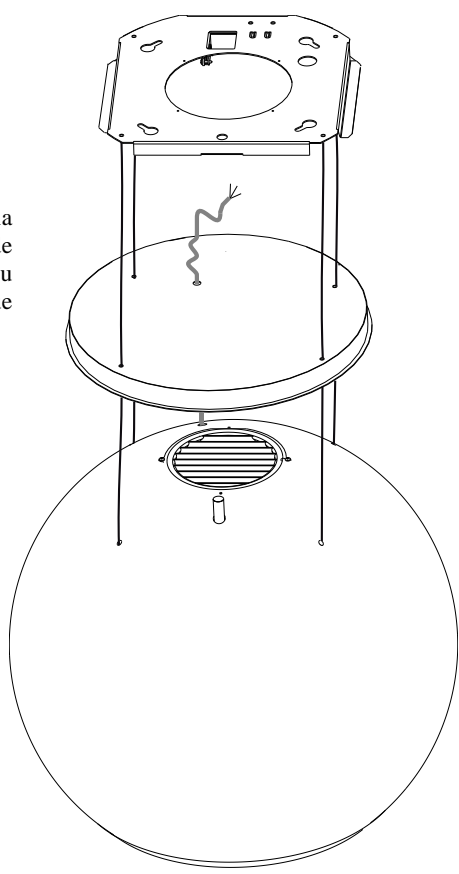
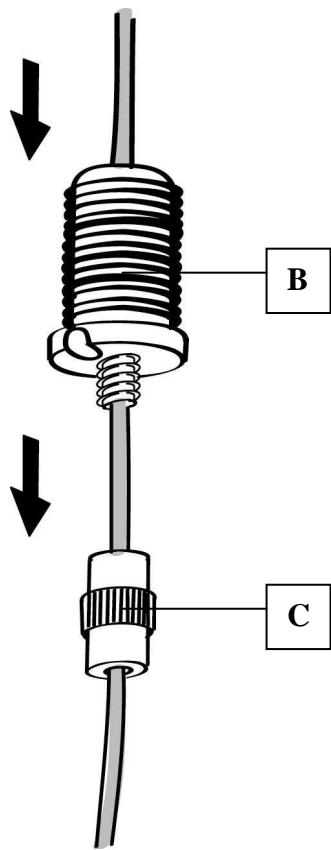
- Passer les 4 câbles (accrochés au corps de hotte) dans les trous correspondants du couvercle de la hotte, précédemment déposé, en veillant à ce que le sens soit le même que celui de la plaque accrochée au plafond.

- Insérer le câble d'alimentation de la hotte dans le trou prévu sur le couvercle.

Attention : ne pas casser ni retirer le collier qui fixe le câble d'alimentation de la hotte.



- Faire attention au sens d'orientation de la plaque fixée au plafond (le cliquet de fin de course de la plaque présente son trou correspondant sur le couvercle de la plaque et sur le corps de hotte).

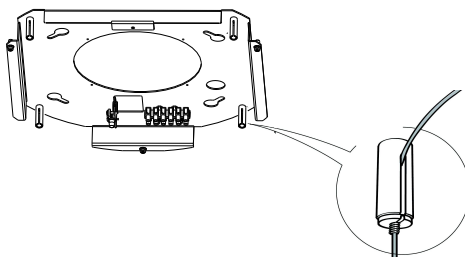


- Enfiler les pommeaux de sécurité (c) dans leurs câbles correspondants, en veillant à ce que le filetage soit orienté vers le haut.
- Enfiler les vis serre-câble (b) dans leurs câbles respectifs.

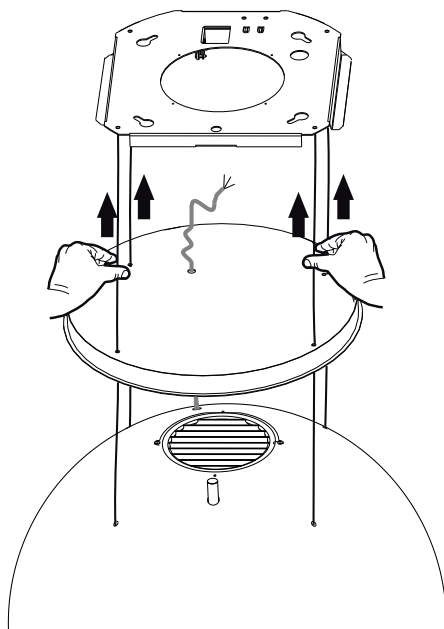
- Faire passer les câbles dans les trous des cliquets filetés (a) et serrer les vis serre-câble (b) à ces mêmes cliquets.



- À la fin de l'opération, le résultat doit être celui représenté dans la figure pour tous les 4 câbles.



- À ce point, les 4 câbles sont reliés à la plaque.



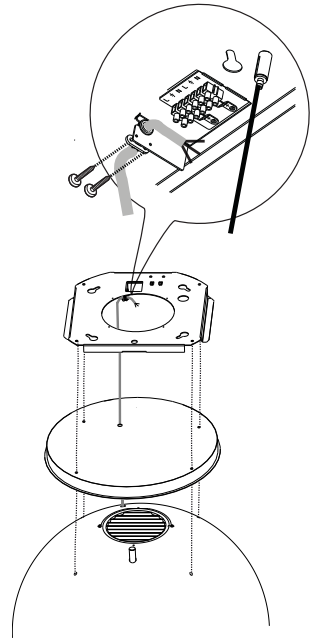
Mettre les câbles sous tension en les poussant vers le haut de manière à ce qu'ils coulisent dans la vis serre-câble et hors du trou du cliquet fileté.

Cela est possible, car le système présent dans la vis serre-câble permet au câble de coulisser dans un seul sens à son intérieur, en bloquant le coulisement dans l'autre sens.

Veiller à ce que les câbles aient tous la même longueur pour faciliter l'opération de nivellement final. Faire attention à ce que le câble avant gauche ne soit pas plus mou que les autres.

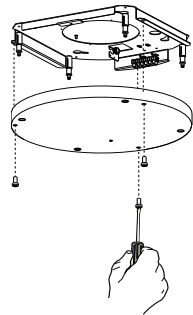
FIXATION DU CÂBLE D'ALIMENTATION

- Tendre le câble d'alimentation et le fixer à la bride sur la plaque de plafond en utilisant la languette déjà montée avec 2 vis.
- Emboîter le passe-câble en caoutchouc déjà enfilé sur le câble d'alimentation dans le trou pour éviter tout endommagement futur.
- Brancher la hotte à l'alimentation de secteur en intercalant un interrupteur bipolaire ayant une ouverture des contacts d'au moins 3 mm.
- Retirer les filtres à graisse (voir par. « Entretien ») et s'assurer que le connecteur du câble d'alimentation est correctement branché dans la prise de l'aspirateur.
- À ce point, vous pouvez couper le collier qui bloque le câble d'alimentation au corps de hotte.



MONTAGE DU COUVERCLE DE LA PLAQUE

- À l'aide des vis précédemment retirées, resserrer le couvercle à la plaque.

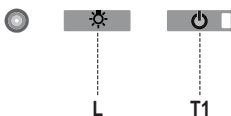


SORTIE DE L'AIR VERSION FILTRANTE

- Ouvrir le groupe d'éclairage en le tirant sur l'encoche prévue à cet effet.
- Retirer le filtre à graisse.
- S'assurer de la présence des filtres anti-odeur à charbon actif.

UTILISATION

Tableau des commandes



Touche	Fonction	Affichage
L	Allume/Éteint les lumières	-
T1	Hotte basse Appuyer pendant 2 secondes pour remonter la hotte. Appui bref On/Off moteur	Branché/Débranché
	Hotte haute Premier appui : La hotte descend. Deuxième appui : Stop hotte. À la fin du mouvement, le moteur se branche à la deuxième vitesse.	Débranché/Débranché

L'électronique reconnaît deux types d'anomalies et donne le signal correspondant

Led T1	
Clignotement lent	<p>Dépassement du seuil d'absorption de courant: En présence d'une condition de surcharge, l'anomalie est signalée par le clignotement, toutes les 2 secondes, de la led T1 située sur le clavier. Vérifier l'absence de tout empêchement durant le mouvement de la hotte. Ce signalement demeure actif jusqu'à ce qu'une nouvelle commande d'ouverture/fermeture de la hotte soit donnée.</p>
Clignotement rapide	<p>Intervention du microswitch de sécurité en ouverture: En cas d'intervention du microswitch de sécurité, l'anomalie est signalée par le clignotement rapide de la led T1 (toutes les 250ms), indiquant que la hotte a dépassé le fin de course..... Contactez le service après vente!</p> <p>En présence de cette anomalie, l'accès aux fonctions de la hotte (lumières et moteur) est toujours possible. Si le moteur est branché, la led T1 continuera à clignoter, signalant que l'anomalie est toujours présente.</p>

TELECOMMANDE

Il est possible de commander cet appareil au moyen d'une télécommande, alimentée avec des piles alcalines zinc-charbon 1,5 V du type standard LR03-AAA25 (ne fournis pas).

- Ne pas ranger la télécommande à proximité de sources de chaleur.
- Ne pas jeter les piles; il faut les déposer dans les récipients de récolte spécialement prévus à cet effet.

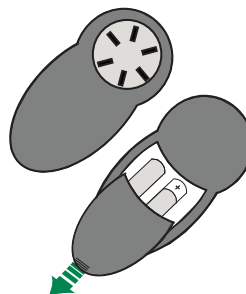








Tableau des commandes

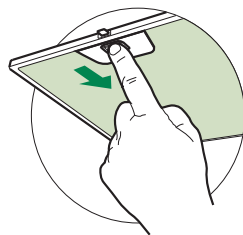


Touche	Fonction	Affichage
	Branche/Débranche le moteur.	-
	Hotte fermée : - En appuyant brièvement sur la touche la hotte commence à descendre - À la pression suivante, elle s'arrête. Lorsque le mouvement est terminé, le moteur se branche à la 2 ^{ème} vitesse.	-
	Hotte ouverte : - Appuyer pendant 2 secondes pour activer le mouvement de remontée qui s'arrête avec le fin de course. - Appuyer (brièvement) pour arrêter le mouvement (avant le fin de course). - Appuyer encore brièvement, on/off moteur. - Garder appuyé pendant 2 secondes pour activer le mouvement de remontée. - Si le moteur est branché, d'abord le moteur s'arrête, puis le moteur démarre.	-
	Diminue la vitesse du moteur.	-
	Augmente la vitesse du moteur.	-
	INTENSIVE - Activable seulement lorsque la hotte est descendue et lorsque le delay ou le 24h ne sont pas actifs. - Active la vitesse intensive à partir de n'importe quelle vitesse. Pour la débrancher, appuyer de nouveau sur cette même touche ou éteindre le moteur. - La vitesse intensive est temporisée à 6 minutes. À la fin des 6 minutes le système retourne automatiquement à la vitesse précédemment programmée.	La led présente sur la touche moteur (des commandes hotte) clignote toutes les 0,5 seconde).
	Appuyer brièvement sur la fonction Delay : Activable seulement lorsque l' Intensive ou le 24h ne sont pas actifs. Branche et débranche le mode d'arrêt total de la hotte (moteur+ lumières) après 30 minutes : Pour invalider le Delay, appuyer de nouveau sur la même touche ou éteindre le moteur.	La led présente sur la touche moteur (des commandes hotte) clignote toutes les 0,5 seconde).
	Appuyer pendant 2 sec sur la fonction 24h : Activable seulement lorsque l' Intensive ou le Delay ne sont pas actifs. Branche et débranche la fonction 24 pendant 10 minutes par heure, pendant 24 heures. À l'expiration, la fonction se désactive.	La led présente sur la touche moteur (des commandes hotte) clignote toutes les 2 secondes).
	Branche/Débranche les lumières de la hotte.	-

ENTRETIEN

Filtre à graisse métallique

Il est lavable même au lave-vaisselle. Il doit être lavé environ tous les 2 mois d'utilisation ou plus fréquemment en cas d'utilisation particulièrement intensive.



NETTOYAGE FILTRE À GRAISSE MÉTALLIQUE

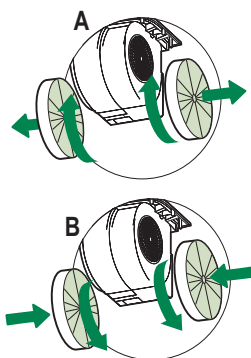
- Ouvrir le groupe d'éclairage en le tirant sur l'encoche prévue à cet effet.
- Retirer le filtre, en le poussant vers l'arrière du groupe, tout en tirant en même temps vers le bas.
- Laver le filtre en évitant de le plier et les laisser sécher avant de les remonter.
- Le remonter en veillant à ce que la poignée soit toujours vers la partie visible externe.
- Refermer le groupe d'éclairage.

Filtres anti-odeur à charbon actif (version filtrante)

Il n'est ni lavable ni régénérable, le remplacer après environ 4 mois d'utilisation ou plus fréquemment en cas d'utilisation particulièrement intense.

REPLACEMENT

- Ouvrir le groupe d'éclairage.
- Retirer le filtre à graisse.
- Enlever les filtres anti-odeur à charbon actif saturés, comme indiqué (A).
- Monter les nouveaux filtres, comme indiqué (B).
- Remonter le filtre à graisse et le groupe d'éclairage.



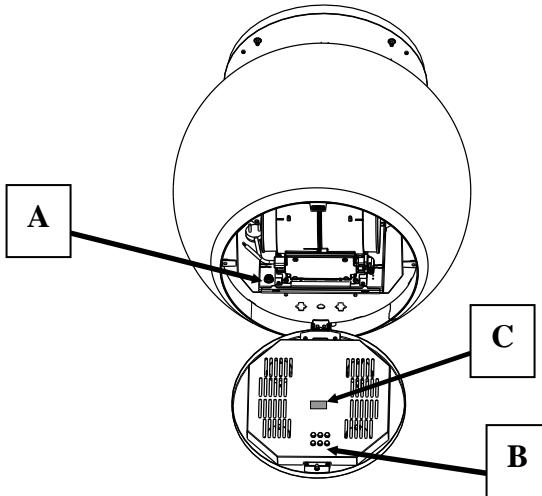
Éclairage

- Pour le remplacement, contacter le Service après-vente (« Pour l'achat, s'adresser au service après-vente »).

Éclairage du corps de hotte

Vous pouvez régler la couleur et l'intensité de l'éclairage du corps de hotte.

- Ouvrir le groupe d'éclairage en le tirant sur l'encoche prévue à cet effet.
- Régler l'éclairage en intervenant sur les touches du clavier B. Pour ce faire, suivre les indications illustrées sur l'étiquette C.

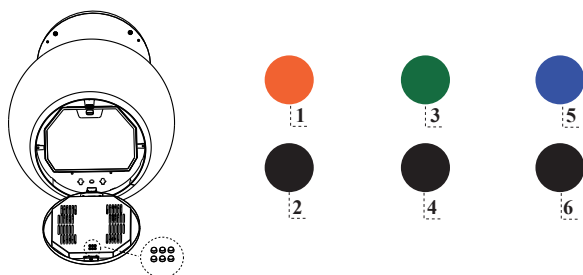


Procédure d'intervention en cas d'anomalies sur le mouvement

1. Vérifier que le fusible est correctement inséré et qu'il n'est pas brûlé. En cas de nécessité de remplacement, ouvrir le groupe d'éclairage et desserrer le porte-fusible visible sur la gauche du groupe moteur, en le remplaçant par un autre fusible ayant les mêmes caractéristiques (Réf. A).
2. Vérifier que le corps de hotte est installé à niveau
3. Vérifier que les quatre câbles sont tendus tous les quatre de la même manière.

Si les actions précédentes n'ont pas résolu le problème, contacter le service après-vente.

Réglage de l'éclairage du corps de hotte



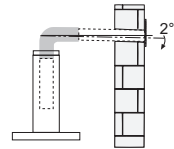
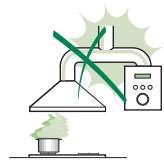
Touche	Couleur	Fonction
1	Rouge	Elle gère l'intensité de la couleur rouge. L'intensité augmente ou diminue à chaque pression sur la touche. Les limites maximums et minimums de l'intensité sont signalées par un clignotement bref de la couleur sélectionnée sur le lustre.
2	Noir	Elle gère la vitesse du changement des couleurs lorsqu'on utilise les deux programmes de la touche 4. À chaque appui, la vitesse augmente ou diminue. La diminution est signalée par un clignotement bref. Pour les désactiver, appuyer sur la touche 6.
3	Verte	Elle gère l'intensité de la couleur verte. L'intensité augmente ou diminue à chaque pression sur la touche. Les limites maximums et minimums de l'intensité sont signalées par un clignotement bref de la couleur sélectionnée sur le lustre.
4	Noir	Elle gère les 2 programmes pour le changement des couleurs. Dégradé ou intermittent. Pour les désactiver, appuyer sur la touche 6.
5	Bleu	Elle gère l'intensité de la couleur bleue. L'intensité augmente ou diminue à chaque pression sur la touche. Les limites maximums et minimums de l'intensité sont signalées par un clignotement bref de la couleur sélectionnée sur le lustre.
6	Noir	Eclairage On / Off Au début, sur On la couleur de la hotte est blanche. Vous pouvez la modifier à votre choix en augmentant ou en diminuant les intensités des couleurs avec les touches (1-3-5). Pour retourner à la situation de départ, augmenter au maximum l'intensité des 3 couleurs en intervenant sur les touches (1-3-5). En appuyant sur la touche pendant 3 secondes vous pouvez mémoriser la couleur actuellement programmée.

EMPFEHLUNGEN UND HINWEISE

- △ Diese Gebrauchsanleitungen beziehen sich auf die verschiedenen Modelle der Abzugshaube. Darum kann es möglich sein, dass die Beschreibung bestimmter Merkmale für das vorliegende Gerät nicht zutrifft.

INSTALLATION

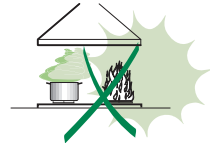
- Der Hersteller haftet nicht für etwaige Schäden, die durch die fehlerhafte Installation oder falschen Gebrauch entstehen könnten.
- Der min. Sicherheitsabstand zwischen Kochfeld und Abzugshaube beträgt 650 mm (einige Modelle können auch niedriger installiert werden; siehe Absatz Installation).
- Kontrollieren Sie, ob die Netzspannung den Daten des Typenschildes im Innern der Haube entspricht.
- Für Geräte der Klasse I muss kontrolliert werden, ob das häusliche Versorgungsnetz korrekt geerdet ist.
Die Absaughaube mit Hilfe eines Rohrs mit einem Mindestdurchmesser von 120 mm mit dem Rauchabzug verbinden. Der Verlauf des Rauchabzugs soll so kurz wie möglich sein.
- Die Abzugshaube darf nicht an einen Schacht angeschlossen werden, in den Rauchgase geleitet werden (z. B. von Heizkessel, Kaminen, usw.).
- Falls in dem Raum neben dem Abzug auch nicht mit Strom betriebene Geräte (zum Beispiel Gasgeräte) eingesetzt werden, muss für eine ausreichende Belüftung gesorgt werden, damit der Rückfluss der Abgase verhindert wird. Die Küche muss eine direkte Öffnung nach Außen aufweisen, damit ein ausreichender Luftaustausch gewährleistet wird. Wird die Abzugshaube zusammen mit nicht mit Strom betriebenen Geräte eingesetzt, darf der Unterdruck im Raum 0,04 mbar nicht überschreiten, damit die Abgase nicht wieder angesaugt werden.
- Die Luft darf nicht über das flexible Rohr der Rauchabsaugung über mit Gas oder einem anderen Brennstoff betriebenen Kochstellen nach außen geleitet werden (nicht mit Geräten einsetzen, die die Luft lediglich in den Raum auslassen).
- Schadhafte Kabel müssen durch den Hersteller oder vom Kundendienst ausgewechselt werden, damit jedes Risiko ausgeschlossen wird.



- Falls die Montageanweisungen für die gasbetriebene Kochmulde einen größeren Abstand vorschreiben, als der oben angegebene, muss diese Vorgabe befolgt werden. Es sind sämtliche Abluftvorschriften zu beachten.
- Nur für die Abzugshaube geeignete Schrauben und Kleinteile verwenden.
Achtung: Werden die Schrauben und Befestigungselemente nicht entsprechend der vorliegenden Anleitungen verwendet, besteht Stromschlaggefahr.
- Die Abzugshaube mittels zweipoligem Schalter mit einer Öffnung der Kontakte von mindestens 3 mm an das Netz anschließen.

GEBRAUCH

- Die Abzugshaube wurde ausschließlich für den häuslichen Gebrauch entwickelt, um Kochdünste zu beseitigen.
- Die Haube darf nur für die ihr zugedachten Zwecke benutzt werden.
- Unter der eingeschalteten Haube keine offenen Flammen benutzen.
- Die Flamme so regulieren, dass sie nicht über den Boden des Kochgeschirrs hinausreicht.
- Fritteusen müssen während des Gebrauchs ständig überwacht werden: überhitztes Öl könnte sich entzünden.
- Auf keinen Fall unter der Haube flambieren: Brandgefahr.
- Kinder ab 8 Jahren und Personen mit eingeschränkten physischen, sensorischen oder psychischen Fähigkeiten, oder mit mangelnden Erfahrungen oder Kenntnissen dürfen nicht mit dem Gerät umgehen, es sei denn, sie werden von einer für ihre Sicherheit verantwortlichen Person beaufsichtigt oder angeleitet. Sicherstellen, dass Kinder nicht mit dem Gerät herumspielen können. Reinigungs- und Wartungsarbeiten dürfen nicht von unbeaufsichtigten Kindern durchgeführt werden.
- Dieses Gerät darf nicht von Personen (einschließlich Kindern) mit eingeschränkten physischen, sensorischen oder psychischen Fähigkeiten, oder mit mangelnden Erfahrungen oder Kenntnissen benutzt werden, es sei denn, sie werden von einer für ihre Sicherheit verantwortlichen Person beaufsichtigt oder angeleitet.




- **ACHTUNG:** Die zugänglichen Teile können während des Gebrauchs der Kochgeräte sehr heiß werden.

WARTUNG

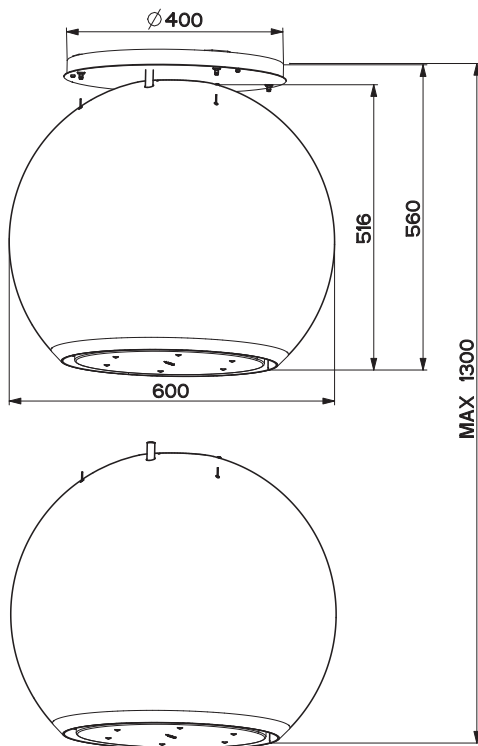
- Vor Reinigungs- oder Wartungsarbeiten am Gerät, muss dieses ausgeschaltet und spannungslos gemacht werden.
- Die Filter stets nach den angegebenen Intervallen reinigen oder auswechseln (Brandgefahr).
- Die Fettfilter sind alle 2 Monate oder bei intensiver Nutzung öfter zu reinigen und können in der Spülmaschine gespült werden.
- Der Aktivkohlefilter ist weder waschbar, noch regenerierbar und muss bei normalem Betrieb zirka alle 4 Monate oder auch öfter ausgewechselt werden, je nach Intensität des Gebrauchs.
- „Wenn die Reinigung nicht nach den Anweisungen durchgeführt wird, besteht Brandgefahr“.
- Die Haube mit einem feuchten Lappen und einem neutralen Reinigungsmittel abwischen.



Das Symbol  am Produkt oder auf der Verpackung weist darauf hin, dass das Gerät nicht als normaler Hausmüll entsorgt werden darf. Das ausrangierte Gerät muss vielmehr bei einer speziellen Sammelstelle für elektrische und elektronische Geräte abgegeben werden. Mit der vorschriftsmäßigen Entsorgung des Gerätes trägt der Benutzer dazu bei, schädliche Auswirkungen auf Umwelt und Gesundheit zu vermeiden. Weitere Informationen zum Recycling dieses Produktes können bei der zuständigen Behörde, der örtlichen Abfallbeseitigung oder bei dem Händler, der das Gerät verkauft hat, eingeholt werden.

CHARAKTERISTIKEN

Platzbedarf

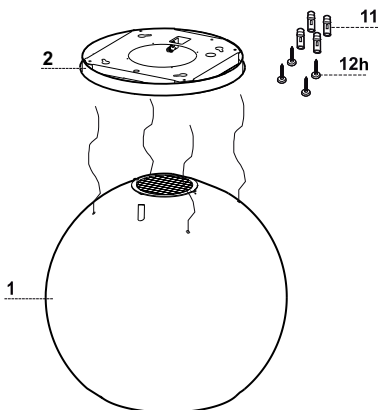


Komponenten

Bez.	Menge	Produktkomponenten
1	1	Haubenkörper komplett mit: Bedienelemente, Beleuchtung, Filter, Motor
2	1	Platte der Haubenhalterung

Bez.	Menge	Installationskomponenten
11	4	Dübel \varnothing 10 mm
12h	4	Schrauben 4,2 x 44,4

Menge	Dokumentation
1	Betriebsanleitung



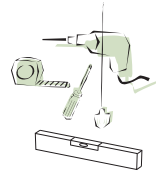
MONTAGE

Diese Haube ist für die Installation an einer Decke/Konsole über (Mindestabstand 650 mm) einer Kochinsel vorbereitet:

- **Umluftversion:** Innere Rezirkulation.

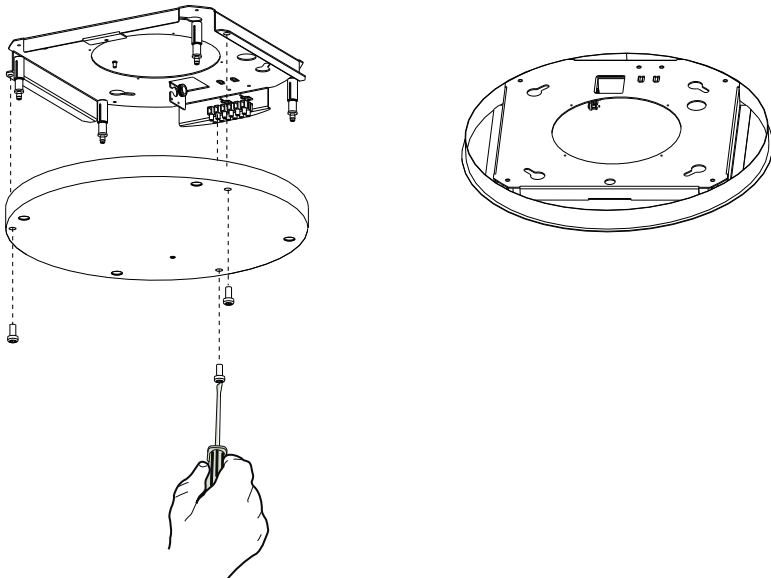
Sequenz der Installationsarbeiten

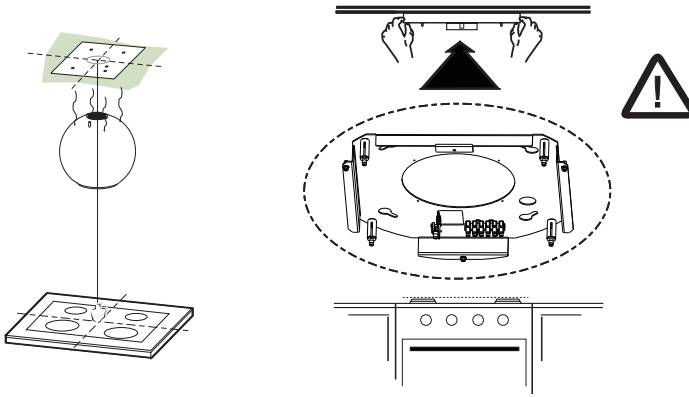
- Vorbereitung zur Installation
- Bohren von Decke/Konsole und Befestigung der Halteplatte
- Anschlüsse
- Montage des Haubenkörpers
- Funktionskontrolle
- Entsorgung des Verpackungsmaterials



Öffnen der Platte und Vorbereitung für die Montage

- Die Schrauben aufschrauben, welche die Platte mit ihrer Abdeckung verbinden.
- Die Platte zur Hand nehmen und in der in der Abbildung gezeigten Richtung positionieren.





Bohren von Decke/Konsole und Befestigung der Platte

BOHREN VON DECKE/KONSOLE

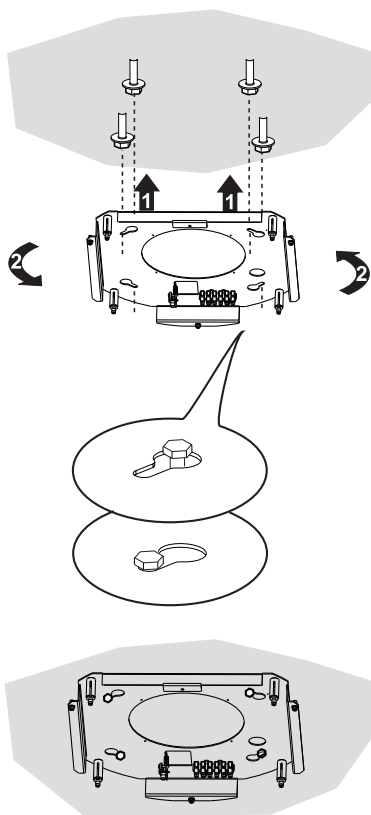
- Mit Hilfe eines Lotfadens an Decke/Haltekonsole die Mitte des Kochfelds anzeichnen.
- Die Platte in der korrekten Einbaurichtung an der Decke/Konsole anlegen.
- Die Mitte der Löcher der Platte markieren.
- Die folgenden Punkte bohren:
 - Decke aus Massivbeton: je nach den verwendeten Betondübeln.
 - Decke aus Hohlziegeln mit 20 mm fester Stärke: Mit \varnothing 10 mm bohren (sobald die mitgelieferten Dübel **11** einsetzen).
 - Decke aus Holzträgern: je nach den verwendeten Holzschrauben (nicht mitgeliefert).
 - Holzkonsole mit 15 mm fester Stärke: \varnothing 7 mm bohren.
 - Stromkabeldurchgang: \varnothing 10 mm bohren.
- Zwei Schrauben über Kreuz einschrauben und 4-5 mm Abstand von der Decke belassen:
 - für Massivbeton, Betondübel, nicht mitgeliefert.
 - für Hohlziegel mit circa 20 mm fester Stärke, Schrauben **12h**, mitgeliefert.
 - für Holzträger, Holzschrauben, nicht mitgeliefert.
 - für Holzkonsole, Schrauben mit Unterlegscheiben und Muttern, nicht mitgeliefert.

BEFESTIGUNG DER PLATTE

- Die Platte anheben, die Langlöcher an den zwei zuvor an der Decke angebrachten Schrauben einhängen und bis zur Mitte der Einstellöse drehen.

Achtung: Die Einbaurichtung der Platte muss wie in der Abbildung gezeigt sein.

- Die beiden Schrauben festziehen und die beiden anderen mitgelieferten Schrauben einschrauben. Bevor die Schrauben endgültig festgezogen werden, kann durch Drehen des Teils reguliert werden, wobei darauf zu achten ist, dass die Schrauben nicht aus den Einstellösen fallen.
- Die Befestigung muss entsprechend des Gewichts der Haube und den Belastungen durch seitliche Stoßeinwirkungen auf das installierte Gerät sicher befestigt werden. Nach erfolgter Befestigung sicherstellen, dass die Platte stabil ist.
- In allen Fällen, in denen die Decke am Aufhängepunkt nicht robust genug sein sollte, muss der Installateur sie durch Platten und Konterplatten verstärken, die an stabilen Strukturteilen verankert werden.
- Die Nivellierung der Platte an der Decke kontrollieren.



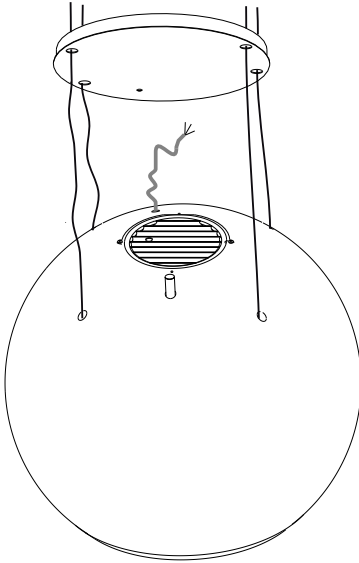
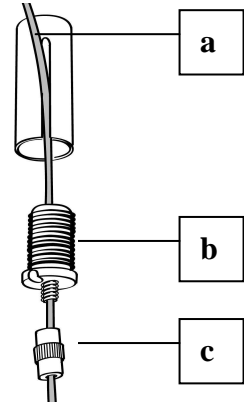
VERBINDUNG DER SEILE ZWISCHEN HAUBE UND PLATTE

NB: Vor der Installation muss die Haube mit Hilfe einer Stütze oder einer zweiten Person auf eine Höhe von mindestens 650 mm vom Kochfeld gebracht werden. Darauf achten, dass die in der bemaßten Zeichnung angegebene max. Extension der Haube nicht überschritten wird.

⚠ Diese Maßnahme ist sehr wichtig, weil das Gewicht der Haube beim Verbinden der Seile mit der an der Decke montierten Platte **keinesfalls** auf der Struktur lasten darf.

Das System zur Befestigung der 4 Kabel besteht aus 3 Teilen:

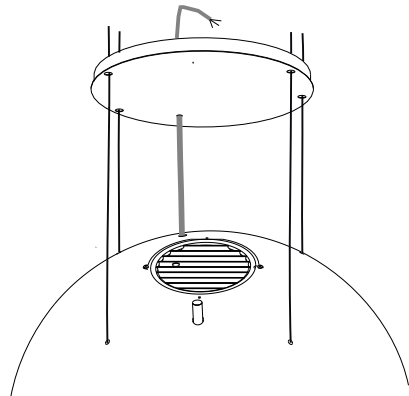
- Sperrklinke mit Gewinde (a), die bereits an der Deckenplatte montiert ist.
- Kabelklemmschraube (b), im Lieferumfang enthalten.
- Sicherheitsknäuf (c), im Lieferumfang enthalten.



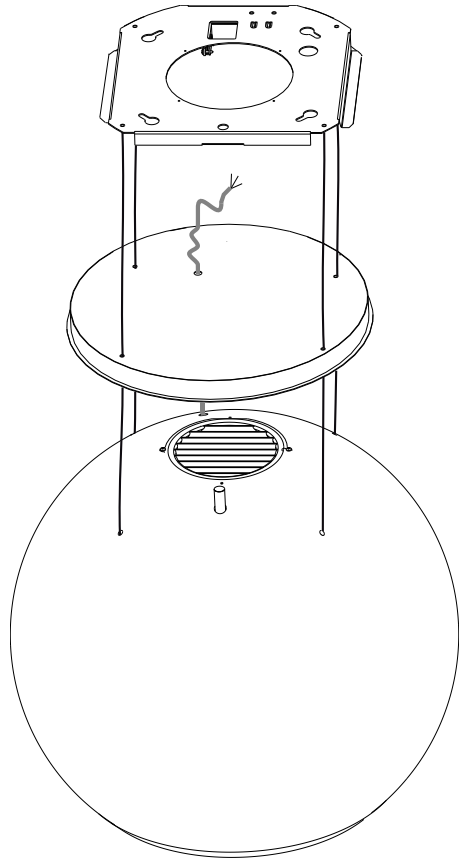
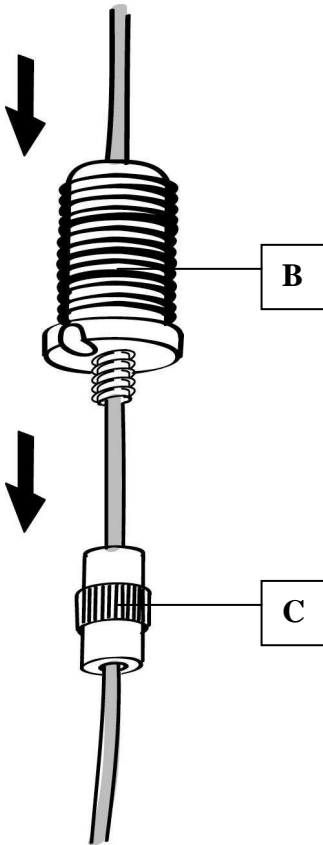
- Die 4 am Haubenkörper eingehängten Kabel durch die entsprechenden Löcher an der zuvor ausgebauten Abdeckung der Platte führen, wobei darauf zu achten ist, dass die Richtung gleich ist wie die der an der Decke eingehängten Platte.

- Das Stromkabel der Haube durch das Loch an der Abdeckung stecken.

Achtung: Der Kabelbinder, mit dem das Stromkabel an der Haube befestigt ist, darf nicht beschädigt oder entfernt werden.



- Auf die Richtung der an der Decke befestigten Platte achten (ein entsprechendes Loch der Sperrklinke des Endanschlags der Platte findet sich an der Abdeckung der Platte und am Haubenkörper).

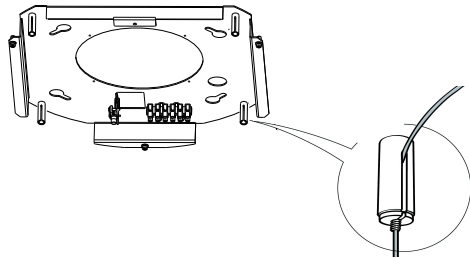


- Die Sicherheitsknäufe (c) mit nach oben zeigendem Gewinde auf die entsprechenden Seile stecken.
- Die Klemmschrauben (b) auf die entsprechenden Seile aufstecken.

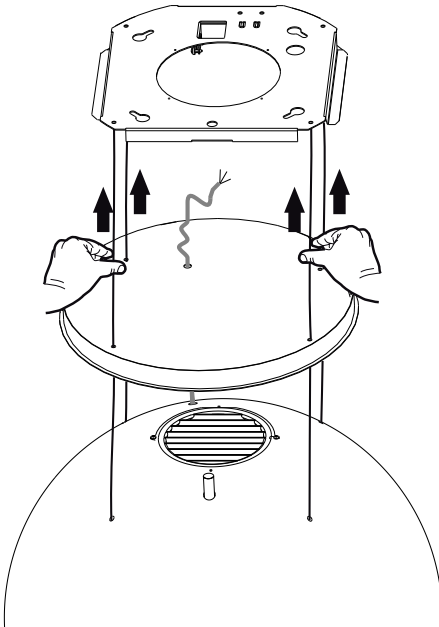
- Die Kabel durch die Langlöcher der Sperrklinke mit Gewinde (a) stecken und die Kabelklemmschrauben (b) an den Sperrklinken selbst festschrauben.



- Das Ergebnis dieser Operation muss bei allen 4 Kabeln wie abgebildet aussehen.



- Damit sind alle 4 Kabel an die Platte angeschlossen.



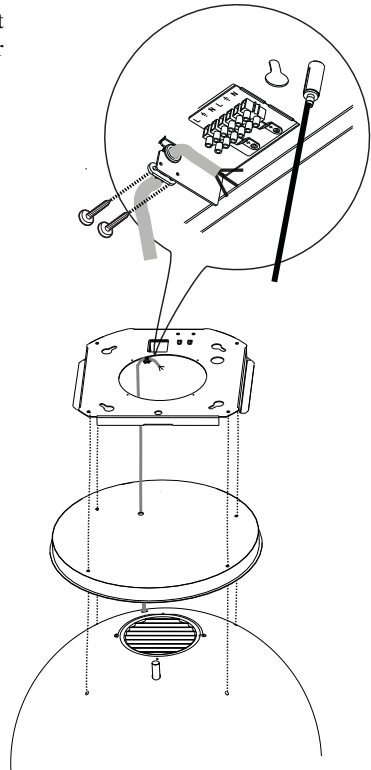
Die Kabel spannen, in dem sie nach oben geschoben werden, so dass sie in der Kabelklemmschraube und aus dem Langloch der Sperrklinke mit Gewinde gleiten.

Dies ist möglich, weil die Kabelklemmschraube über ein System verfügt, welches das Gleiten des Kabels in ihrem Innern in nur eine Richtung erlaubt, während das Gleiten in die andere Richtung unterbunden wird.

Sicherstellen, dass alle Kabel gleich lang sind, damit die abschließende Nivellierung erleichtert wird, und das Seil vorne links nicht weniger gespannt ist als die anderen.

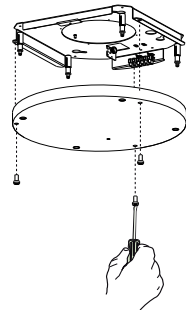
BEFESTIGUNG DES STROMKABELS

- Das Stromkabel spannen und mittels der bereits mit 2 Schrauben montierten Lasche an dem Bügel an der Deckenplatte befestigen.
- Die bereits am Stromkabel aufgesteckte Lippklampe aus Gummi an der Öse fixieren, damit zukünftige Beschädigungen vermieden werden.
- Beim Anschließen der Haube einen zweipoligen Schalter mit einer Öffnung der Kontakte von mindestens 3 mm zwischenschalten.
- Die Fettfilter ausbauen (siehe Absatz "Wartung") und sicherstellen, dass der Verbinder des Stromkabels richtig in die Buchse des Abzugs eingesteckt ist.
- Jetzt kann der Kabelbinder aufgeschnitten werden, der das Stromkabel am Haubenkörper fixiert.



MONTAGE DER PLATTENABDECKUNG

- Die Abdeckung mit den zuvor ausgebauten Schrauben wieder an der Platte anschrauben.

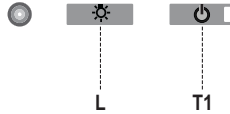


LUFTAustrITT BEI DER FILTERVERSION

- Die Beleuchtungseinheit öffnen, indem sie zur entsprechenden Kerbe gezogen wird
- Entfernen Sie die Fettfilter
- Sicherstellen, ob Aktivkohlefilter zur Geruchsbindung vorhanden sind.

BEDIENUNG

Schalttafel



Taste	Funktion	Display
L	Schaltet die Leuchtkörper ein oder aus.	-
T1	Haube unten: Mit 2 Sekunden langem Drücken wird die Haube angehoben. Ein kurzes Antippen schaltet den Motor ein oder aus.	Ein/Aus
	Haube oben: Einmal Drücken: Die Haube wird abgesenkt. Mit zweitem Drücken: Die Haube hält an. Nachdem die Bewegung abgeschlossen ist, schaltet sich der Motor bei der 2. Geschwindigkeit ein.	Aus/Aus

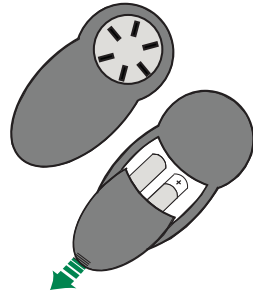
Die Elektronik erkennt zwei Arten von Anomalien und gibt die entsprechende Meldung

LED T1	
Langsames Blinken	Überschreiten der Stromaufnahme-Schwelle: Im Falle einer Überlastung wird die Anomalie mittels Blinken in Abständen von 2 Sekunden der LED T1 an der Tastatur gemeldet. Sicherstellen, dass die Bewegung der Haube nicht durch Hindernisse behindert wird. Diese Meldung bleibt bis zu einer erneuten Öffnungs- oder Schließsteuerung aktiv.
Schnelles Blinken	Auslösen des Sicherheits-Mikroschalters während des Öffnens: Im Falle des Auslösens des Sicherheits-Mikroschalters wird die Anomalie mittels schnellem Blinken (alle 250 ms) der LED T1 gemeldet, was bedeutet, dass die Haube den Endanschlag überschritten hat..... Den Technischen Kundendienst hinzuziehen! Während dieser Anomalie kann stets auf die Funktionen der Haube (Beleuchtung und Motor) zugegriffen werden, und wenn der Motor eingeschaltet ist, blinkt die LED T1 weiterhin, um anzuzeigen, dass die Anomalie noch vorliegt.

FERNBEDIENUNG




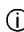


Dieses Gerät kann mit einer Fernbedienung gesteuert werden, welche mit alkalischen Zink-Kohle-Batterien 1,5 V des Standardtyps LR03-AAA versorgt wird (nicht im Lieferumfang enthalten).

- Die Fernbedienung nicht in die Nähe von Hitzequellen legen.
- Batterien müssen vorschriftsmäßig entsorgt werden.



Schalttafel



Taste	Funktion	Display
	Stellt den Motor an/ab.	-
	Geschlossene Haube: <ul style="list-style-type: none"> - Mit kurzem Antippen der Taste wird die Haube gesenkt - Mit nochmaligem Antippen hält die Haube an. Nachdem die Bewegung abgeschlossen ist, schaltet sich der Motor bei der 2. Geschwindigkeit ein. 	-
	Geöffnete Haube: <ul style="list-style-type: none"> - Mit 2 Sekunden langem Drücken wird die Hubbewegung aktiviert, die am Endanschlag anhält. - Mit kurzem Antippen wird die Bewegung noch vor dem Endanschlag angehalten. - Ein weiteres kurzes Antippen schaltet den Motor ein oder aus. - Bei 2 Sekunden langem Drücken wird die Hubbewegung aktiviert. - Ist der Motor in Betrieb, wird zuerst er angehalten und dann die Bewegung aktiviert. 	-
	Verringert die Motordrehzahl.	-
	Erhöht die Motordrehzahl.	-
	INTENSIVGESCHWINDIGKEIT <ul style="list-style-type: none"> - Nur einschaltbar bei abgesenkter Haube und wenn Delay oder 24h aktiv. - Aktiviert von jeder Geschwindigkeitsstufe aus die Intensivgeschwindigkeit. - Um sie wieder auszuschalten, dieselbe Taste erneut drücken, oder den Motor abstellen. - Die Intensivgeschwindigkeit ist auf 6 Minuten zeitgeregelt. Nach den 6 Minuten kehrt das System automatisch zur zuvor eingestellten Geschwindigkeit zurück. 	Die LED an der Motor-Taste (der Haubensteuerungen), blinkt 1 Mal pro Sekunde.
	Bei kurzem Drücken Funktion Delay: <ul style="list-style-type: none"> - Nur einschaltbar, wenn weder Intensivgeschwindigkeit noch 24h aktiviert sind. - Aktiviert und deaktiviert den totalen Abschalt-Modus der Haube (Motor+Beleuchtung) nach 30 Minuten. - Um das Delay zu deaktivieren, dieselbe Taste erneut drücken, oder den Motor abschalten. 	Die LED an der Motor-Taste (der Haubensteuerungen), blinkt alle 0,5 Sekunden.
	2 Sekunden langes Drücken Funktion 24H: <ul style="list-style-type: none"> - Nur einschaltbar, wenn weder Intensivgeschwindigkeit noch Delay aktiviert sind. - Aktiviert und deaktiviert die 24h-Funktion während 24 Stunden jede Stunde für 10 Minuten. Nach Ablauf der Zeit wird die Funktion deaktiviert. 	Die LED an der Motor-Taste (der Haubensteuerungen), blinkt alle 2 Sekunden.
	Schaltet die Beleuchtung der Haube ein oder aus.	-

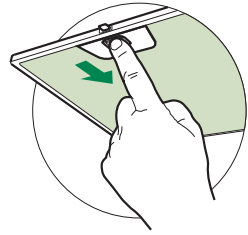
WARTUNG

Metallfettfilter

Der Filter sollte mindestens alle 2 Monate von Hand oder in der Spülmaschine gewaschen werden, bei intensiver Nutzung auch öfter.

REINIGUNG DES METALLFETTFILTERS

- Die Beleuchtungseinheit öffnen, indem sie zur entsprechenden Kerbe gezogen wird
- Den Filter zu dem hinteren Teil der Gruppe schieben und gleichzeitig nach unten ziehen.
- Den Filter waschen, ohne ihn zu verbiegen, und vor dem erneuten Einbau trocknen lassen.
- Nun den Filter wieder einbauen, so dass der Griff nach der äußeren Sichtseite zeigt.
- Die Beleuchtungseinheit wieder verschließen.

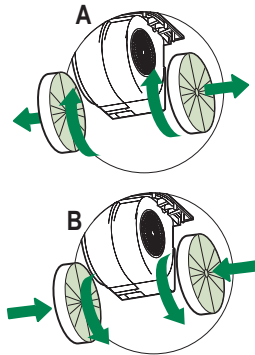


Aktivkohle-Geruchsfilter (Filterversion)

Der Aktivkohlefilter ist nicht wasch- oder regenerierbar und muss mindestens alle 4 Monate oder bei sehr intensiver Nutzung auch häufiger ersetzt werden.

AUSWECHSELN

- Die Beleuchtungseinheit öffnen
- Entfernen Sie die Fettfilter
- Die verbrauchten Aktivkohle-Geruchsfilter wie gezeigt ausbauen (A).
- Die neuen Filter wie gezeigt einbauen (B).
- Den Fettfilter und die Beleuchtungseinheit wieder einbauen.



Beleuchtung

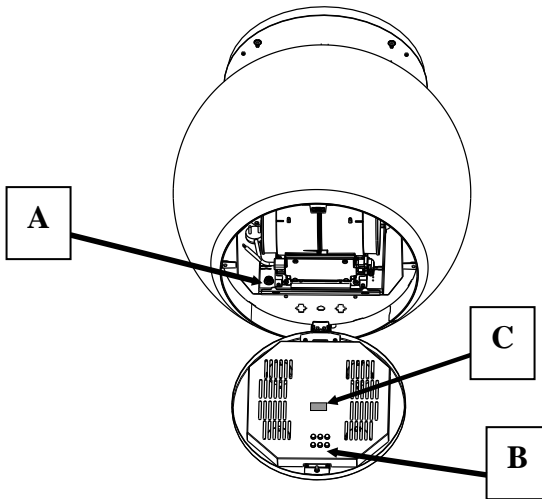
LED-Strahler

- Für den Austausch der LED-Strahler wenden Sie sich bitte an den Kundendienst.

Beleuchtung des Haubenkörpers

Der Farbton und die Intensität der Haubenkörperbeleuchtung können reguliert werden.

- Die Beleuchtungseinheit öffnen, indem sie zur entsprechenden Kerbe gezogen wird.
- Die Beleuchtung mit Hilfe der Tasten am Tastenfeld **B** unter Befolgung der Anweisungen am Etikett **C** regulieren.

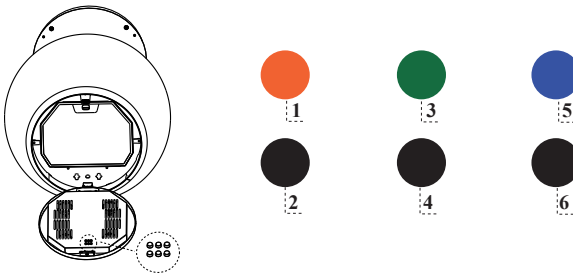


Prozedur für den Fall von Anomalien der Bewegung

1. Sicherstellen, dass die Sicherung korrekt eingesetzt und nicht durchgebrannt ist. Zum Auswechseln die Beleuchtungseinheit öffnen, den Sicherungshalter ausschrauben und die Sicherung durch eine gleichwertige ersetzen (Bez. **A**).
2. Prüfen, ob der Haubenkörper nivelliert ist.
3. Prüfen, ob alle vier Seile gleichmäßig gespannt sind.

Falls das Problem mit diesen Eingriffen nicht gelöst werden kann, den Technischen Kundendienst hinzuziehen.

Regulierung der Haubenkörperbeleuchtung



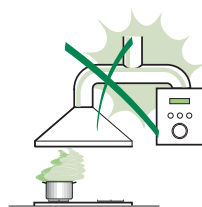
Taste	Farbe	Funktion
1	Rot	Steuert die Intensität der Farbe Rot. Die Farbintensität nimmt bei jedem Drücken der Taste zu oder ab. Das Erreichen des Höchst- oder Mindestwerts der Intensität wird durch kurzes Blinken der an der Lampe selektierten Farbe angezeigt.
2	Schwarz	Steuert die Geschwindigkeit, mit der die Farben wechseln, wenn beide Programme der Taste 4 angewendet werden. Die Geschwindigkeit nimmt bei jedem Drücken zu oder ab. Die Verringerung wird durch ein kurzes Blinken angezeigt. Sie werden durch Drücken der Taste 6 deaktiviert.
3	Grün	Steuert die Intensität der Farbe Grün. Die Farbintensität nimmt bei jedem Drücken der Taste zu oder ab. Das Erreichen des Höchst- oder Mindestwerts der Intensität wird durch kurzes Blinken der an der Lampe selektierten Farbe angezeigt.
4	Schwarz	Steuert die beiden Programme für den Wechsel der Farben: Abgetönt oder blinkend. Sie werden durch Drücken der Taste 6 deaktiviert.
5	Blau	Steuert die Intensität der Farbe Blau. Die Farbintensität nimmt bei jedem Drücken der Taste zu oder ab. Das Erreichen des Höchst- oder Mindestwerts der Intensität wird durch kurzes Blinken der an der Lampe selektierten Farbe angezeigt.
6	Schwarz	On - Off Beleuchtung Anfangs ist bei On die Farbe der Haube weiß. Die Farbe kann geändert werden, indem die Intensität der Farben mit den Tasten (1-3-5) erhöht oder vermindert wird. Um zur Ausgangssituation zurückzukehren, die Intensität der 3 Farben mit den Tasten (1-3-5) maximal erhöhen. Durch 3 Sekunden langes Drücken der Taste kann die aktuell eingestellte Farbe gespeichert werden.

CONSEJOS Y SUGERENCIAS

- △ Las instrucciones de uso se aplican a varios modelos de este aparato. Por lo tanto, usted puede encontrar descripciones de características individuales que no pertenecen a su aparato en concreto.

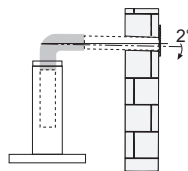
INSTALACIÓN

- El fabricante no se hace responsable de los daños provocados por una instalación o uso indebido.
- La distancia mínima de seguridad entre el plano de cocción y la campana extractora es de 650 mm (algunos modelos pueden ser instalados a una altura inferior; véase el párrafo relativo a las dimensiones de trabajo y la instalación).
- Compruebe que la tensión de alimentación corresponda a la indicada en la placa de datos colocada en el interior de la campana.



- Para los aparatos de Clase I, compruebe que la red eléctrica doméstica tenga una conexión a tierra adecuada. Conecte la campana extractora al conducto de humo a través de un tubo con un diámetro mínimo de 120 mm. La trayectoria del humo debe ser lo más corta posible.
- No conecte la campana extractora a los conductos de humo que transportan humo de combustión (ej. calderas, chimeneas, etc.).

- Si la campana extractora se utiliza en combinación con aparatos no eléctricos (por ejemplo, aparatos de gas), debe garantizarse un grado suficiente de ventilación en el recinto para evitar el retorno del flujo de los gases de escape. La cocina debe tener una abertura comunicante directamente con el exterior para asegurar la entrada de aire fresco. Cuando se utiliza la campana para cocina en combinación con aparatos no alimentados por corriente eléctrica, la presión negativa en el recinto no debe superar los 0,04 mbar para evitar que el humo sea reaspirado en el recinto por la campana.



- El aire no se debe descargar a través del tubo flexible que se utiliza para la aspiración de humos de equipos alimentados por gas u otros combustibles (no usar con dispositivos que descargan solamente el aire en el local).
- En caso de daños en el cable de alimentación, éste debe ser sustituido por el fabricante o el departamento de servicio para evitar cualquier riesgo.

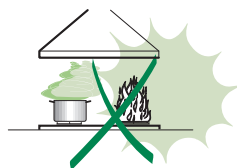
- Si las instrucciones de instalación del plano de cocción de gas especifican una distancia mayor de la indicada anteriormente, es necesario tenerlo en cuenta. Se tienen que respetar todas las normativas con respecto a la descarga del aire.
- Utilizar sólo los tornillos y accesorios metálicos de un tipo adecuado para la campana.

Advertencia: No instalar tornillos o sujetadores de acuerdo con estas instrucciones puede provocar descargas eléctricas.

- Conectar la campana a la alimentación de red interponiendo un interruptor bipolar con distancia entre los contactos de por lo menos 3 mm.

USO

- La campana extractora está diseñada exclusivamente para uso doméstico, para eliminar los olores de la cocina.
- Nunca utilice la campana para fines distintos de aquellos para los que fue diseñada.
- No deje nunca llamas altas bajo la campana cuando está en funcionamiento.
- Ajuste la intensidad de la llama para dirigirla sólo a la parte inferior del recipiente de cocción, asegurándose de que no llegue a los lados.
- Las freidoras deben ser controladas continuamente durante su uso: el aceite recalentado puede incendiarse.
- No realice flambeados bajo la campana: se podría producir un incendio.
- Este aparato puede ser usado por niños de edad no inferior a 8 años y por personas con reducidas capacidades psicológicas, físicas y sensoriales o con experiencia o conocimiento inadecuados, siempre que estén cuidadosamente supervisados e instruidos sobre cómo utilizar de forma segura el equipo y los peligros que esto implica. Asegúrese de que los niños no jueguen con el aparato. La limpieza y mantenimiento por parte del usuario no deben ser realizados por los niños, a menos que sean supervisados.
- Este equipo no está diseñado para su uso por personas (incluyendo a niños) con disminución psico física sensorial o falta de experiencia y conocimiento, a menos que se les haya supervisado o instruido por una persona responsable de su seguridad.




- **ATENCIÓN:** las partes accesibles pueden calentarse mucho durante el uso de aparatos de cocción.

MANTENIMIENTO

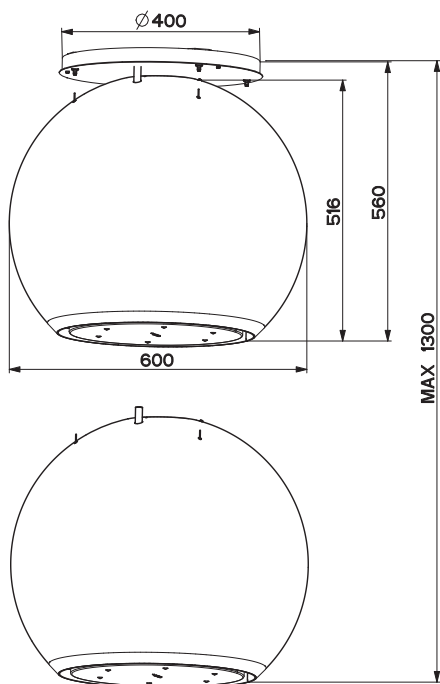
- Apague o desconecte el aparato de la red eléctrica antes de cualquier operación de limpieza o mantenimiento.
- Limpie y/o reemplace los filtros después del período de tiempo especificado (peligro de incendio).
- Los filtros de grasa deben limpiarse cada 2 meses de operación, o con mayor frecuencia si se utilizan muy frecuentemente y se pueden lavar en el lavavajillas.
- El filtro de carbón activo no se puede lavar ni regenerar, y se debe cambiar cada 4 meses de funcionamiento aproximadamente, o con mayor frecuencia si se utiliza muy frecuentemente.
- “Existe el riesgo de incendio si la limpieza no se realiza conforme a las instrucciones”.
- Limpie la campana con un paño húmedo y un detergente líquido suave.



El símbolo  en el producto o en el embalaje indica que el producto no se debe considerar un desecho doméstico normal. El producto a eliminar se debe llevar a un centro de recogida apropiado para el reciclado de equipos eléctricos y electrónicos. Mediante la eliminación de este producto de manera apropiada, se contribuye a evitar consecuencias negativas para el medio ambiente y para la salud, que pudieran derivarse de una eliminación inadecuada del producto. Para obtener informaciones más detalladas sobre el reciclaje de este producto, ponerse en contacto con el ayuntamiento, el servicio local de eliminación de desechos o la tienda donde se compró el producto.

CARACTERÍSTICAS

Dimensiones

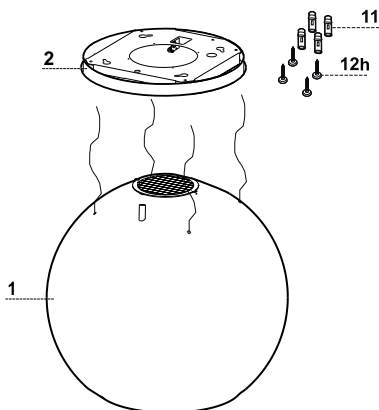


Componentes

Ref.	Cant.	Componentes de producto
1	1	Cuerpo campana dotado de: mandos, luz, filtros, motor.
2	1	Placa de soporte campana

Ref.	Cant.	Componentes de instalación
11	4	Tacos \varnothing 10
12h	4	Tomillos 4,2 x 44,4

Cant.	Documentación
1	Manual de instrucciones



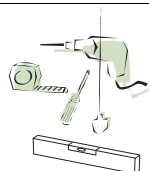
INSTALACIÓN

Esta campana está predispuesta para ser instalada en techo/repisa, sobre (650 mm min) un plano de cocción de isla en:

- **Versión filtrante:** Recirculación interna.

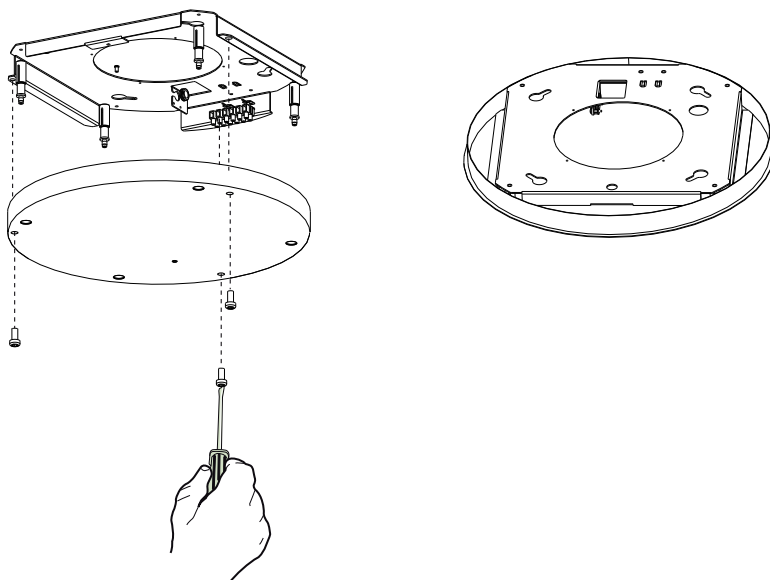
Secuencia operaciones de instalación

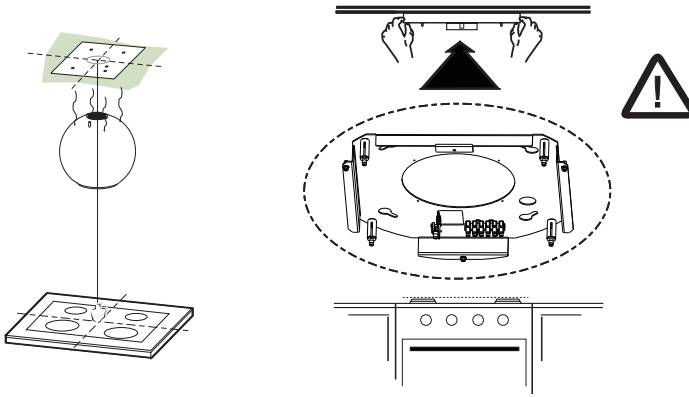
- Preparación a la Instalación
- Perforación techo/repisa y fijación placa de soporte
- Conexiones
- Montaje cuerpo campana
- Control funcional
- Eliminación embalajes



Apertura de la placa y preparación para el montaje

- Destornillar los tornillos que unen la placa a su cubierta.
- Tomar la placa y colocarla en el sentido correcto como se indica en la figura.





Perforación techo/repisa y fijación placa

PERFORACIÓN TECHO/REPISA

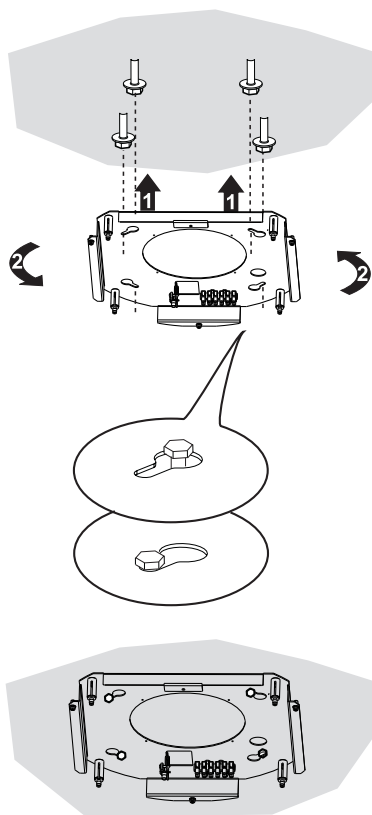
- Con la ayuda de un hilo de plomada marcar en el techo/repisa de soporte el centro del plano de cocción.
- Apoyar al techo/repisa la placa poniendo atención en posicionarla en el sentido justo, como se indica en la figura.
- Marcar los centros de los orificios de la placa.
- Perforar los siguientes puntos:
 - Techo de hormigón macizo: según tacos para hormigón empleados.
 - Techo de ladrillos con cámara de aire, con espesor resistente de 20 mm: perforar \varnothing 10 mm (insertar inmediatamente los tacos **11** en dotación).
 - Techo de armazón de madera. según tornillos para madera empleados (no suministrados).
 - Repisa de madera, con espesor resistente de 15 mm: perforar \varnothing 7 mm.
 - Paso del cable eléctrico de alimentación: perforar \varnothing 10 mm.
- Atornillar, cruzándolos y dejando 4-5 mm desde el techo, dos tornillos:
 - para hormigón macizo, tacos para hormigón, no en dotación.
 - para ladrillos con cámara de aire, con espesor resistente de 20 mm aproximadamente, tornillos **12h**, en dotación.
 - para armazón de madera, tornillos para madera, no en dotación.
 - para repisa de madera, tornillos con arandelas y tuercas no en dotación.

FIJACIÓN DE LA PLACA

- Levantar la placa de fijación y encastrar los ojales en los dos tornillos preparados precedentemente en el techo y girar hasta el centro del ojal de regulación.

Atención: El sentido de la placa debe ser como aquél indicado en la figura.

- Apretar los dos tornillos y atornillar los otros dos en dotación, antes de apretar definitivamente los tornillos es posible efectuar regulaciones girando la pieza, cuidando que los tornillos no salgan del asiento del ojal de regulación.
- La fijación debe ser segura considerando tanto el peso de la campana como los esfuerzos causados por empujes laterales ocasionales al aparato montado. Una vez que se ha efectuado la fijación, verificar que la placa quede estable.
- En todos los casos en que el techo no sea lo suficientemente robusto en el punto de suspensión, el instalador deberá proceder a robustecerlo con oportunas placas y contraplacas ancladas a partes estructuralmente resistentes.
- Verifica la nivelación de la placa del techo.



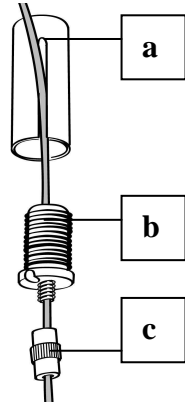
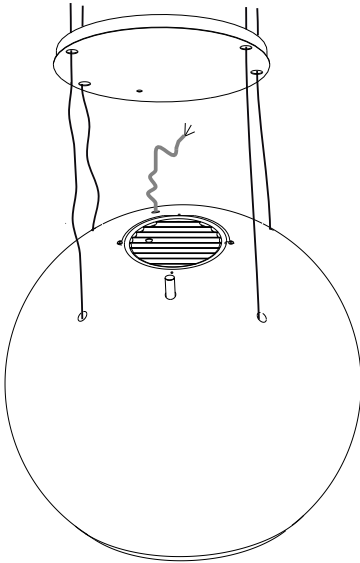
CONEXIÓN CABLES CAMPANA-PLACA

Nota Antes de seguir con la instalación es necesario llevar la campana a la altura de por lo menos 650 mm desde el plano de cocción, con un soporte o con la ayuda de una segunda persona. Atención a no superar la cota máxima de extensión de la campana indicada en el esquema dimensional.

⚠ Esta precaución es fundamental en cuanto iremos a conectar los cables de la campana a la placa montada en el techo **necesariamente** sin tener el peso de la campana que se cargue sobre la estructura.

El sistema de fijación de los 4 cables está formado de 3 partes:

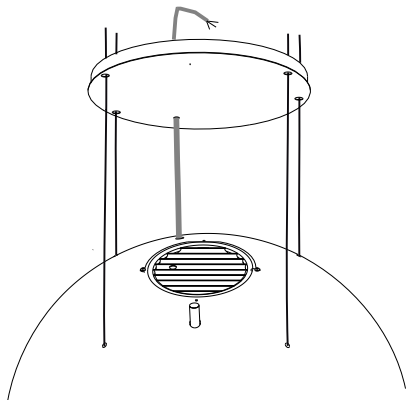
- Pasador fin de carrera roscado (a) ya montado en la placa de techo.
- Tornillo bloqueacables (b) en dotación.
- Perilla de seguridad (c) en dotación.



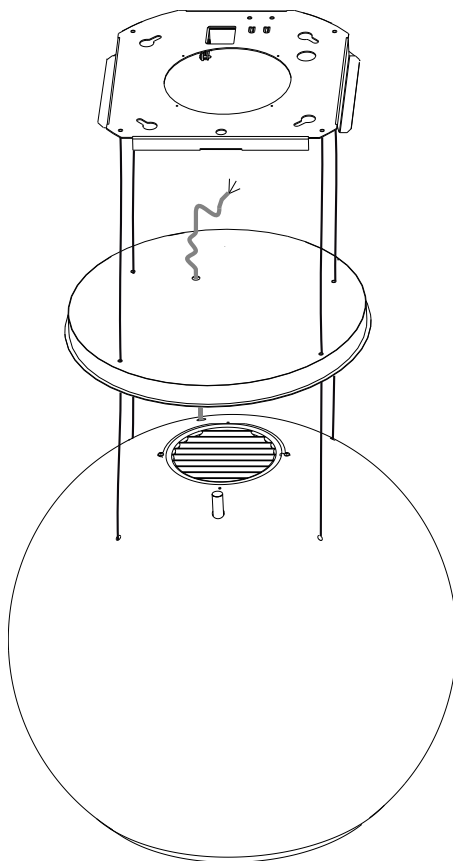
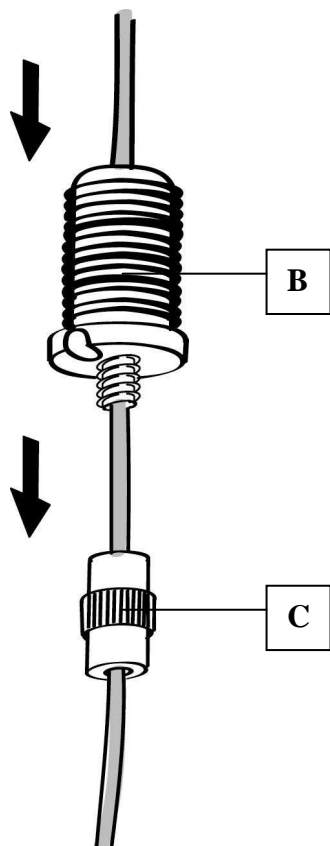
- Pasar los 4 cables (enganchados al cuerpo de la campana) por los respectivos orificios de la cubierta de la placa precedentemente desmontada, prestando atención a que el sentido sea el mismo de la placa enganchada al techo.

- Introducir el cable de alimentación de la campana en el orificio predispuesto de la cubierta.

Atención: no romper no quitar la abrazadera que fija el cable de alimentación a la campana



- Poner atención en el sentido de la placa fijada en el techo (el pasador fin de carrera de la placa tiene su orificio correspondiente en la cubierta de la placa y en el cuerpo de la campana).

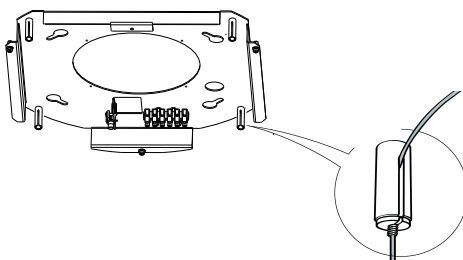


- Introducir las perillas de seguridad (c) en los respectivos cables con el roscado hacia lo alto.
- Introducir los tornillos bloqueable (b) en los respectivos cables.

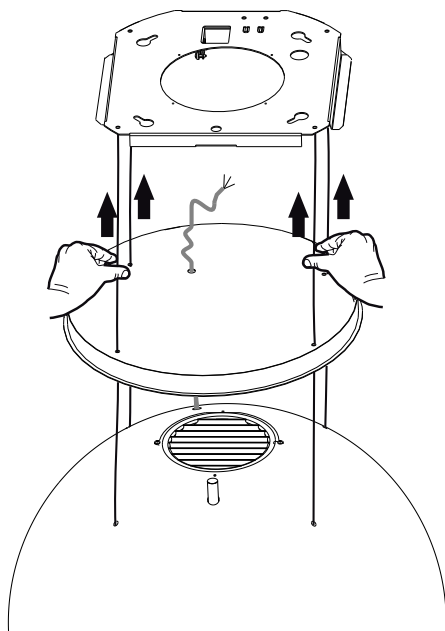
- Pasar los cables por los ojales de los pasadores roscados (a) y atornillar los tornillos bloqueables (b) en los mismos pasadores.



- Una vez terminada la operación el resultado debe ser como se indica en la figura para los 4 cables.



- Una vez llegados a este punto tenemos los 4 cables conectados a la placa.



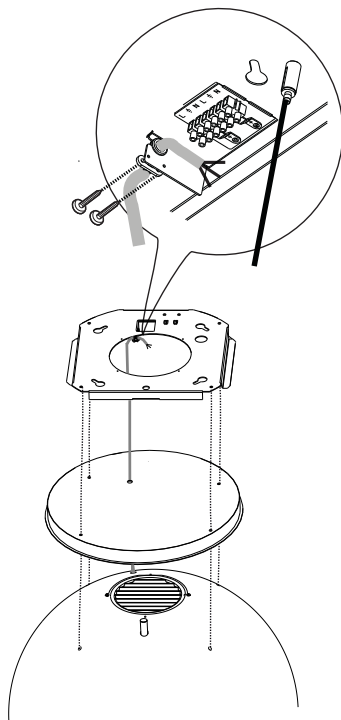
Poner en tensión los cables empujándolos hacia lo alto de manera que se desplacen dentro del tornillo bloqueable y fuera del ojal del pasador roscado.

Esto es posible porque el tornillo bloqueable tiene un sistema que permite el desplazamiento del cable en su interior en un solo sentido bloqueando el desplazamiento en el sentido contrario.

Poner atención a que los cables tengan todos la misma longitud para facilitar la operación de nivelación final, y el cable delantero izquierdo no debe estar más aflojado que los demás.

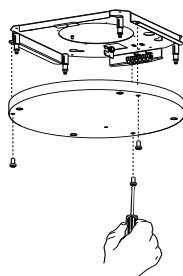
FIJACIÓN DEL CABLE DE ALIMENTACIÓN

- Poner en tensión el cable de alimentación y fijarlo a la brida en la placa del techo usando la lengüeta ya montada con 2 tornillos.
- Insertar el pasacable de goma, ya introducido en el cable de alimentación, en el ojal para evitar daños futuros.
- Conectar la campana a la alimentación de red interponiendo un interruptor bipolar con una apertura de los contactos de por lo menos 3 mm.
- Quitar los Filtros antigrasa (ver párr. "Mantenimiento") y comprobar que el conector del cable de alimentación esté correctamente insertado en la toma del aspirador.
- Ahora podemos cortar la abrazadera que bloquea el cable de alimentación al cuerpo de la campana.



MONTAJE DE LA CUBIERTA DE LA PLACA

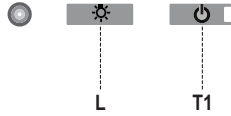
- Atornillar nuevamente la cubierta a la placa con los tornillos quitados antes.



SALIDA AIRE VERSIÓN FILTRANTE

- Abrir el grupo iluminación tirándolo en la muesca específica.
- Quitar el filtro antigrasa.
- Comprobar la presencia de los filtros antiolor al carbono activo.

Tablero de mandos



Tecla	Función	Display
L	Enciende/Apaga las luces.	-
T1	Campana baja Presionada por 2 segundos eleva la campana. Presionado brevemente On/Off motor.	Encendido/Apagado
	Campana baja Primera presión: la campana baja. Segunda presión: Stop campana Una vez terminado el movimiento el motor se enciende a la segunda velocidad.	Apagado/Apagado

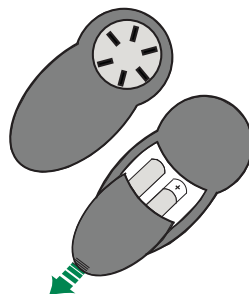
La electrónica reconoce dos tipos de anomalías y procede a dar la relativa señalización

Led T1	
Parpadeo lento	<p>Superación del umbral de absorción corriente: En el caso se verifique una condición de sobrecarga, se señala la anomalía mediante el parpadeo cada 2 segundos del led T1 en el teclado. Verificar que no hayan impedimentos durante el movimiento de la campana. Esta señalización permanece activa hasta un nuevo mando de apertura/cierre de la campana.</p>
Parpadeo veloz	<p>Intervención del micro de seguridad en la fase de apertura: En el caso de intervención del micro de seguridad, la anomalía es señalizada por el led T1 que parpadea rápidamente (cada 250ms) lo cual significa que la campana ha superado el fin de carrera..... Ponerse en contacto con la Asistencia Técnica!</p> <p>Durante esta anomalía siempre es posible acceder a las funciones de la campana (luz y motor) y en el caso de motor encendido el led T1 seguirá parpadeando señalando que la anomalía aún está presente.</p>

MANDO A DISTANCIA




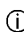


El aparato puede comandarse con un mando a distancia que funciona con pilas alcalinas zinkcarbón de 1,5 V del tipo standard LR03-AAA (no incluido).

- No dejar el mando a distancia cerca de una fuente de calor.
- Tirar las pilas, cuando se hayan agotado, en los contenedores especiales colocados con dicho fin.



Tablero de mandos



Tecla	Función	Display
	Enciende/Apaga el motor	-
	Campana cerrada - Presionando la tecla brevemente la campana comienza a bajar - A la sucesiva presión se detiene. Una vez terminado el movimiento el motor se enciende a la 2ªv.	-
	Campana abierta: - Si se mantiene presionada por 2 segundos activa el movimiento para la subida que se detiene con el microinterruptor de tope. - Presionando (brevemente) se detiene el movimiento (antes del tope) - Presionando de nuevo brevemente on/off motor. - Manteniéndola presionada por 2 segundos activa el movimiento para la subida. - Si el motor está encendido, antes detiene el motor y luego pone en marcha el movimiento.	-
	Decrementa la velocidad del motor.	-
	Incrementa la velocidad del motor.	-
	INTENSIVA - Activable sólo con la campana abajo y cuando no están activos el delay o el 24h . - Activa la velocidad intensiva desde cualquier velocidad. Para desconectarla basta presionar de nuevo la misma tecla o apagar el motor. - La velocidad intensiva está temporizada en 6 minutos. Al terminar los 6 minutos el sistema se vuelve automáticamente a la velocidad implementada precedentemente.	El led presente en la tecla motor (de los mandos campana) parpadea una vez por segundo.
	Presionada brevemente función Delay Activable sólo cuando no está activa la Intensiva o la 24h . Activa y desactiva la modalidad de parada total de la campana (motor + luces) después de 30 minutos. Para deshabilitar el Delay se puede presionar nuevamente la misma tecla o bien apagar el motor.	El led presente en la tecla motor (de los mandos campana) parpadea cada 0.5 segundos.
	Manteniéndola presionada por 2 seg. Función 24H Activable sólo cuando no está activa la Intensiva o el Delay . Activa y desactiva la función 24 por 10 minutos cada hora, por 24 horas. Al vencimiento se desactiva.	El led presente en la tecla motor (de los mandos campana) parpadea cada 2 segundos.
	Enciende/Apaga las luces de la campana.	-

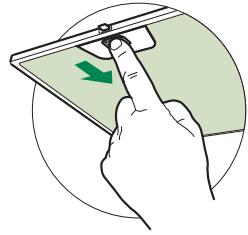
MANTENIMIENTO

Filtro antigrasa metálico

Se puede lavar en lavavajillas, y necesita ser lavado al menos cada 2 meses de uso aproximadamente o más frecuentemente, para un uso particularmente intenso.

LIMPIEZA FILTRO ANTIGRASA METÁLICO

- Abrir el grupo iluminación tirándolo en la muesca específica.
- Quitar el filtro, empujándolo hacia la parte posterior del grupo y tirando simultáneamente hacia abajo.
- Lavar el filtro evitando doblarlo, y dejarlo secar antes de volverlo a montar.
- Montarlo nuevamente teniendo cuidado de mantener la manija hacia la parte visible externa.
- Cerrar nuevamente el grupo iluminación.

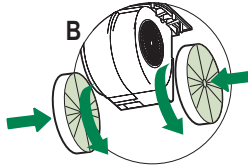
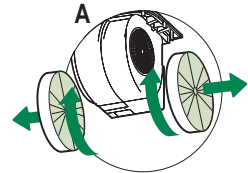


Filtros antiolor al carbono activo (versión filtrante)

No se puede lavar y no es regenerable, debe sustituirse cada 4 meses de uso o más frecuentemente, para un uso particularmente intenso.

SUSTITUCIÓN

- Abrir el grupo iluminación.
- Quitar el filtro antigrasa.
- Quitar los filtros antiolor al carbono activo saturados, como se indica en (A).
- Montar los nuevos filtros, como se indica en (B).
- Montar nuevamente el filtro antigrasa y grupo iluminación.



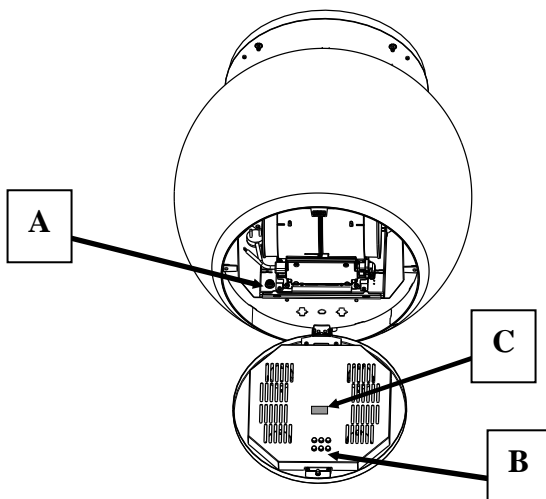
Iluminación

- Para la sustitución ponerse en contacto con la Asistencia Técnica ("Para la compra dirigirse a la asistencia técnica").

Iluminación del cuerpo de la campana

Es posible regular el color y la intensidad de la iluminación del cuerpo de la campana

- Abrir el grupo iluminación tirándolo en la muesca específica.
- Regular la iluminación utilizando los botones del teclado **B**, siguiendo las indicaciones de la etiqueta **C**

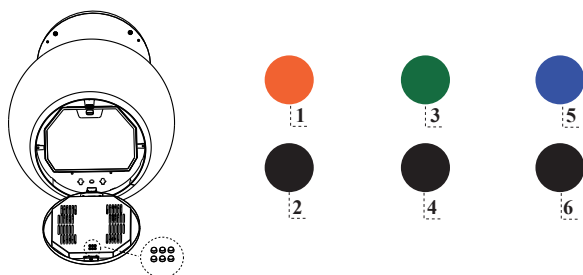


Procedimiento de intervención en caso de anomalías en el movimiento

1. Verificar que el fusible esté correctamente insertado y no esté quemado, para una eventual sustitución abrir el grupo iluminación y destornillar el portafusible sustituyéndolo con uno de iguales características (Ref. **A**).
2. Verificar que el cuerpo campana esté instalado a nivel .
3. Verificar que los cuatro cables estén tendidos los cuatro de la misma manera.

Si las acciones precedentes no han resuelto el problema ponerse en contacto con la Asistencia Técnica.

Regulación de la iluminación del cuerpo de la campana



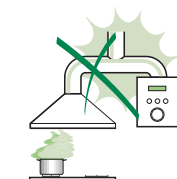
Tecla	Color	Función
1	Rojo	Gestiona la intensidad del color rojo. Manteniendo pulsada la tecla, la intensidad aumenta o disminuye cada vez que se presiona. La máxima y mínima intensidad se indican con un breve destello del color seleccionado en la lámpara.
2	Negro	Gestiona la velocidad de los cambios de color cuando se utilizan ambos programas de la tecla 4. Cada vez que se presiona la velocidad aumenta o disminuye. La disminución se indica mediante un breve destello. Se desactivan presionando la tecla 6.
3	Verde	Gestiona la intensidad del color verde. Manteniendo pulsada la tecla, la intensidad aumenta o disminuye cada vez que se presiona. La máxima y mínima intensidad se indican con un breve destello del color seleccionado en la lámpara.
4	Negro	Gestiona los 2 programas para el cambio de colores: matizado o intermitente. Se desactivan presionando la tecla 6.
5	Azul	Gestiona la intensidad del color azul. Manteniendo pulsada la tecla, la intensidad aumenta o disminuye cada vez que se presiona. La máxima y mínima intensidad se indican con un breve destello del color seleccionado en la lámpara.
6	Negro	On – Off Luz Inicialmente en On el color de la campana es blanco. Se puede cambiar a voluntad aumentando o disminuyendo la intensidad de los colores con las teclas (1-3-5). Para volver a la situación inicial maximizar la intensidad la intensidad de los 3 colores usando las teclas (1-3-5). Pulsando durante 3 segundos la tecla se puede guardar la configuración de color actual.

ΣΥΜΒΟΥΛΕΣ ΚΑΙ ΣΥΣΤΑΣΕΙΣ

- △ Οι οδηγίες χρήσης αναφέρονται σε διαφορετικά μοντέλα αυτής της συσκευής. Επομένως, μπορεί να συναντήσετε περιγραφές κάποιων χαρακτηριστικών που δεν ανήκουν στη δική σας συσκευή.

ΕΓΚΑΤΑΣΤΑΣΗ

- Ο κατασκευαστής δεν μπορεί να θεωρηθεί υπεύθυνος για ενδεχόμενες ζημιές που οφείλονται σε ακατάλληλη εγκατάσταση ή χρήση.
- Η ελάχιστη απόσταση ασφαλείας μεταξύ της επιφάνειας των εστιών και του απορροφητήρα είναι 650 mm (Ορισμένα μοντέλα μπορούν να εγκατασταθούν σε μικρότερο ύψος. Ανατρέξτε στην παράγραφο με τις διαστάσεις λειτουργίας και εγκατάστασης).

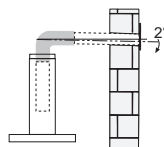


- Βεβαιωθείτε ότι η τάση του δικτύου αντιστοιχεί στην τιμή που αναγράφεται στην πινακίδα χαρακτηριστικών στο εσωτερικό του απορροφητήρα.
- Για τις συσκευές Κλάσης I, βεβαιωθείτε ότι το οικιακό δίκτυο τροφοδοσίας είναι κατάλληλα γειωμένο.

Συνδέστε τον απορροφητήρα στην καπνοδόχο με ένα σωλήνα με ελάχιστη διάμετρο 120 mm. Η διαδρομή των ατμών πρέπει να είναι όσο το δυνατόν συντομότερη.

- Μη συνδέετε τον απορροφητήρα σε αγωγούς απαγωγής καπναερίων που παράγονται από καύση (π.χ. λέβητες, τζάκια κλπ.).

- Αν χρησιμοποιείτε τον απορροφητήρα σε συνδυασμό με άλλες μη ηλεκτρικές συσκευές (π.χ. συσκευές υγραερίου), θα πρέπει να εξασφαλίσετε τον επαρκή αερισμό του χώρου ώστε να εμποδίσετε την επιστροφή των καπναερίων. Η κουζίνα πρέπει να διαθέτει ένα άνοιγμα που να επικοινωνεί απευθείας με το εξωτερικό ώστε να εξασφαλίζεται η είσοδος καθαρού αέρα. Όταν ο απορροφητήρας της κουζίνας χρησιμοποιείται σε συνδυασμό με μη ηλεκτρικές συσκευές, η αρνητική πίεση του χώρου δεν πρέπει να υπερβαίνει τα 0,04 mbar έτσι ώστε να αποφεύγεται η επιστροφή των καπναερίων στο χώρο και η αναρρόφησή τους από τον απορροφητήρα.



- Ο αέρας δεν πρέπει να απάγεται μέσα από τον εύκαμπτο σωλήνα που χρησιμοποιείται για την αναρρόφηση των καπναερίων από συσκευές που τροφοδοτούνται με υγραέριο ή άλλα καύσιμα (μη χρησιμοποιείτε με συσκευές που απάγουν αποκλειστικά τον αέρα του χώρου).
- Σε περίπτωση ζημιάς του ηλεκτρικού καλωδίου, αυτό πρέπει να αντικατασταθεί από τον κατασκευαστή ή από το σέρβις, ώστε να προληφθεί κάθε κίνδυνος.

- Αν οι οδηγίες εγκατάστασης της μονάδας εστιών με υγραέριο υποδεικνύουν ότι απαιτείται απόσταση μεγαλύτερη από εκείνη που αναφέρεται παραπάνω, είναι απαραίτητο να τις λάβετε υπόψη. Πρέπει να τηρούνται όλοι οι κανονισμοί αναφορικά με την εκκένωση του αέρα.
- Χρησιμοποιείτε μόνο βίδες και εξαρτήματα κατάλληλου τύπου για τον απορροφητήρα.
Προειδοποίηση: η μη τοποθέτηση των βιδών και των συστημάτων στερέωσης σύμφωνα με τις παρούσες οδηγίες, μπορεί να προκαλέσει ηλεκτροπληξία.
- Συνδέστε τον απορροφητήρα στο δίκτυο τροφοδοσίας παρεμβάλλοντας ένα διπολικό διακόπτη με άνοιγμα επαφών τουλάχιστον 3 mm.

ΧΡΗΣΗ

- Ο απορροφητήρας έχει μελετηθεί αποκλειστικά για οικιακή χρήση και για την απαγωγή των οσμών της κουζίνας.
- Ποτέ μη χρησιμοποιείτε τον απορροφητήρα για σκοπό διαφορετικό από εκείνον για τον οποίο έχει σχεδιαστεί.
- Ποτέ μην αφήνετε φλόγες μεγάλης έντασης κάτω από τον απορροφητήρα όταν λειτουργεί.
- Ρυθμίστε την ένταση της φλόγας έτσι ώστε να κατευθύνεται αποκλειστικά προς τον πάτο του σκεύους μαγειρέματος, εξασφαλίζοντας ότι δεν προεξέχει από τις πλευρές του.
- Οι φριτζές πρέπει να ελέγχονται συνεχώς όταν χρησιμοποιούνται: το καυτό λάδι μπορεί να πάρει φωτιά.
- Μην μαγειρεύετε φαγητά φλαμπέ κάτω από τον απορροφητήρα: μπορεί να προκληθεί πυρκαγιά.
- Αυτή η συσκευή μπορεί να χρησιμοποιηθεί από παιδιά ηλικίας άνω των 8 ετών και από άτομα με μειωμένες ψυχικές ή διανοητικές ικανότητες, ή από άτομα χωρίς πείρα και επαρκή γνώση, αρκεί να επιβλέπονται και εκπαιδεύονται στην ασφαλή χρήση της συσκευής και στους κινδύνους που απορρέουν από αυτή. Βεβαιωθείτε ότι τα παιδιά δεν παίζουν με τη συσκευή. Ο καθαρισμός και η συντήρηση δεν πρέπει να εκτελούνται από παιδιά, εκτός εάν επιβλέπονται.
- Αυτή η συσκευή δεν πρέπει να χρησιμοποιείται από άτομα (συμπεριλαμβανομένων των παιδιών) με μειωμένες ψυχικές ή διανοητικές ικανότητες, ή από άτομα χωρίς πείρα και επαρκή γνώση, εκτός εάν ελέγχονται και εκπαιδεύονται στη χρήση της συσκευής από άτομα που ευθύνονται για την ακεραιότητά τους.




- **ΠΡΟΣΟΧΗ:** τα προσβάσιμα μέρη μπορεί να έχουν υψηλή θερμοκρασία κατά τη χρήση των συσκευών μαγειρέματος.

ΣΥΝΤΗΡΗΣΗ

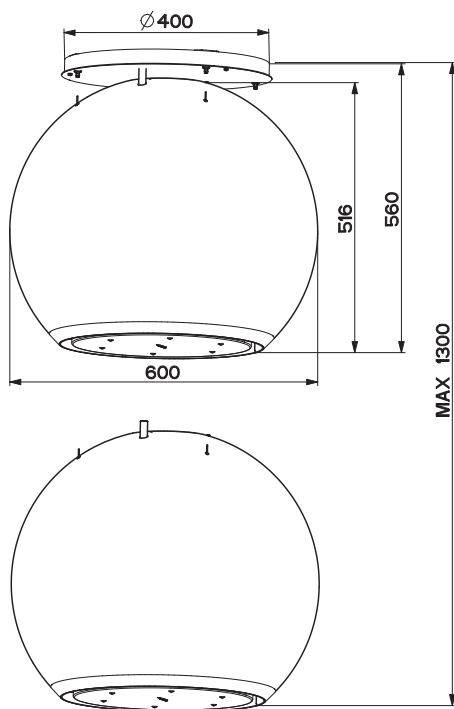
- Σβήνετε ή αποσυνδέετε τη συσκευή από το ηλεκτρικό δίκτυο πριν από οποιαδήποτε επέμβαση καθαρισμού ή συντήρησης.
- Καθαρίζετε ή/και αντικαθιστάτε τα φίλτρα μετά την καθορισμένη χρονική περίοδο (κίνδυνος πυρκαγιάς).
- Τα φίλτρα για λίπη πρέπει να καθαρίζονται κάθε 2 μήνες λειτουργίας ή συχνότερα σε περίπτωση ιδιαίτερα συχνής χρήσης και μπορούν να πλυθούν στο πλυντήριο πιάτων.
- Το φίλτρο ενεργού άνθρακα δεν μπορεί να πλυθεί ούτε να αναγεννηθεί και πρέπει να αντικαθίσταται περίπου κάθε 4 μήνες λειτουργίας ή συχνότερα σε περίπτωση ιδιαίτερα συχνής χρήσης.
- Υπάρχει κίνδυνος πυρκαγιάς σε περίπτωση που ο καθαρισμός δεν γίνει σύμφωνα με τις οδηγίες.
- Καθαρίζετε τον απορροφητήρα χρησιμοποιώντας ένα υγρό πανί και ουδέτερο υγρό απορρυπαντικό.



Το σύμβολο  πάνω στο προϊόν ή πάνω στη συσκευασία του υποδεικνύει ότι το προϊόν δεν πρέπει να διατίθεται σαν ένα συνηθισμένο οικιακό απόρριμμα. Το προϊόν προς διάθεση πρέπει να παραδίδεται σε ένα κατάλληλο κέντρο συλλογής για την ανακύκλωση των ηλεκτρικών και ηλεκτρονικών συσκευών. Φροντίζοντας για τη σωστή διάθεση αυτού του προϊόντος, συμβάλλετε στην αποφυγή πιθανών αρνητικών επιπτώσεων για το περιβάλλον και την υγεία, που μπορεί να οφείλονται στην ακατάλληλη διάθεσή του. Για λεπτομερέστερες πληροφορίες σχετικά με την ανακύκλωση αυτού του προϊόντος, απευθυνθείτε στο Δήμο, στην τοπική υπηρεσία συλλογής απορριμμάτων ή στο κατάστημα από το οποίο αγοράσατε το προϊόν.

ΧΑΡΑΚΤΗΡΙΣΤΙΚΑ

Διαστάσεις



Εξαρτήματα

Αναφ. Ποσ. Εξαρτήματα της συσκευής

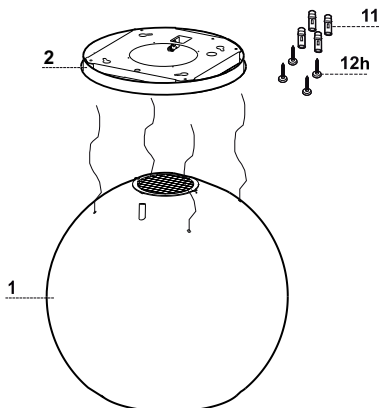
1	1	Σώμα απορροφητήρα με: Χειριστήρια, Φωτισμό, Φίλτρα, Μιστέρ.
2	1	Πλάκα στήριξης απορροφητήρα.

Αναφ. Ποσ. Εξαρτήματα για την εγκατάσταση

11	4	Ούπα Φ 10
12h	4	Βίδες 4,2 x 44,4

Ποσ. Έντυπα

1	Εγχειρίδιο οδηγιών
---	--------------------



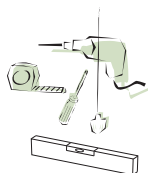
ΕΓΚΑΤΑΣΤΑΣΗ

Αυτός ο απορροφητήρας μπορεί να τοποθετηθεί σε οροφή/ράφι, πάνω (ελάχ. 650 mm) από μια επιφάνεια εστιών με νησίδα σε:

- **Μοντέλο Ανακύκλωσης:** Εσωτερική ανακύκλωση.

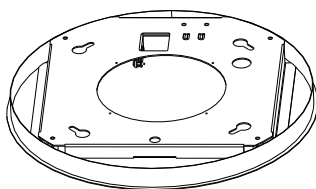
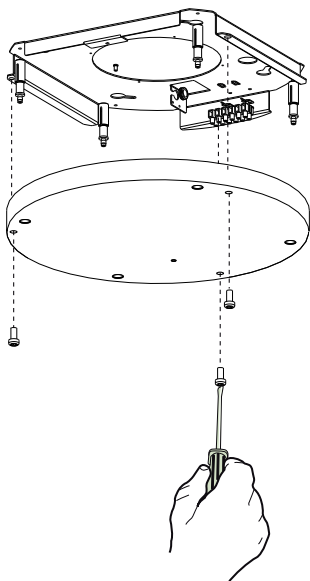
Σειρά ενεργειών για την εγκατάσταση

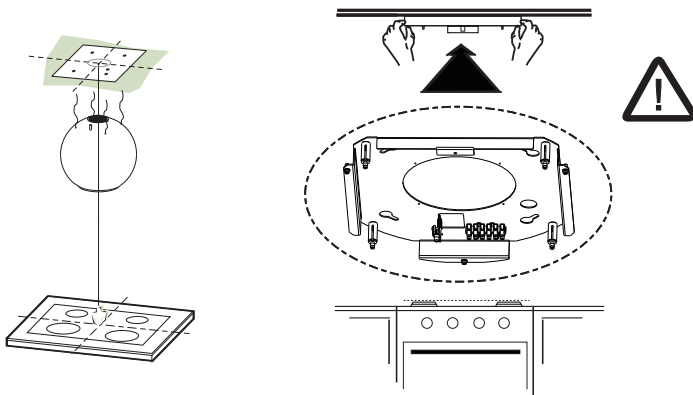
- Προετοιμασία για την εγκατάσταση
- Διάτρηση οροφής/ραφιού και στερέωση πλάκας στήριξης
- Συνδέσεις
- Τοποθέτηση σώματος απορροφητήρα
- Έλεγχος λειτουργίας
- Διάθεση συσκευασίας



Άνοιγμα πλάκας και προετοιμασία για την τοποθέτηση

- Ξεβιδώστε τις βίδες που ενώνουν την πλάκα στο καπάκι της.
- Πάρτε την πλάκα και τοποθετήστε την με τη σωστή κατεύθυνση, όπως δείχνει η εικόνα.





Διάτρηση οροφής/ραφιοῦ και στερέωση πλάκας

ΔΙΑΤΡΗΣΗ ΟΡΟΦΗΣ/ΡΑΦΙΟΥ

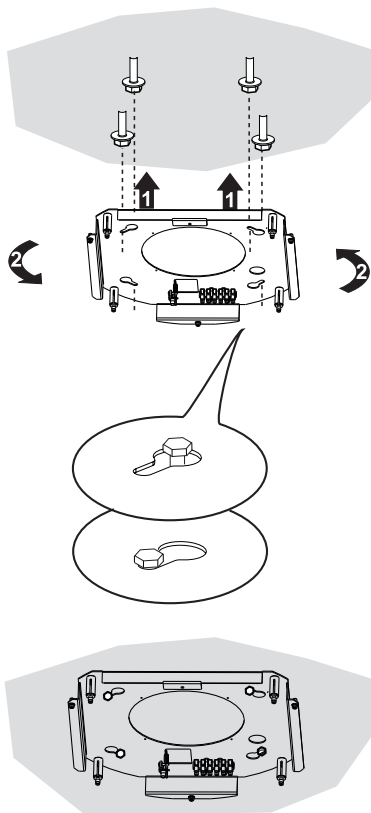
- Με τη βοήθεια ενός νήματος στάθμης σημειώστε πάνω στην οροφή/ράφι στήριξης το κέντρο της επιφάνειας των εστιών.
- Ακουμπήστε στην οροφή/ράφι την πλάκα προσέχοντας να την τοποθετήσετε με τη σωστή κατεύθυνση, όπως δείχνει η εικόνα.
- Σημειώστε τα κέντρα των οπών της πλάκας.
- Τρυπήστε τα ακόλουθα σημεία:
 - Οροφή από συμπαγές σκυρόδεμα: ανάλογα με τα ούπα για σκυρόδεμα που χρησιμοποιούνται.
 - Οροφή από τούβλα με αεροθάλαμο, πάχους 20 mm: Ανοίξτε οπές Φ 10 mm (τοποθετήστε αμέσως τα ούπα του εξοπλισμού **11**).
 - Οροφή από ξύλινα δοκάρια: ανάλογα με τις ξυλόβιδες που χρησιμοποιούνται (δεν διατίθενται).
 - Ξύλινο ράφι, πάχους 15 mm: τρυπήστε με ένα τρυπάνι Φ 7 mm.
- Διέλευση του ηλεκτρικού καλωδίου τροφοδοσίας: τρυπήστε με ένα τρυπάνι Φ 10 mm.
- Βιδώστε σταυρωτά δύο βίδες αφήνοντας 4-5 mm από την οροφή:
 - για συμπαγές σκυρόδεμα, ούπα για σκυρόδεμα, δεν παρέχονται.
 - για κατασκευή από τούβλα με αεροθάλαμο, πάχους 20 mm περίπου, βίδες **12h**, που παρέχονται.
 - για ξύλινα δοκάρια, ξυλόβιδες, δεν παρέχονται.
 - για ξύλινο ράφι, βίδες με ροδέλες και παξιμάδια δεν παρέχονται.

ΣΤΕΡΕΩΣΗ ΠΛΑΚΑΣ

- Σηκώστε την πλάκα στερέωσης και προσαρμόστε τα ανοίγματα στις δύο βίδες που τοποθετήσατε προηγουμένως στην οροφή και γυρίστε έως το κέντρο του ανοίγματος ρύθμισης.

Προσοχή: Η φορά της πλάκας πρέπει να είναι εκείνη που δείχνει η εικόνα

- Σφίξτε τις δύο βίδες και βιδώστε τις άλλες δύο βίδες του εξοπλισμού. Πριν σφίξετε οριστικά τις βίδες, μπορείτε να κάνετε ρυθμίσεις γυρνώντας το εξάρτημα, έτσι ώστε οι βίδες να μην εξέλθουν από την έδρα του ανοίγματος ρύθμισης.
- Η στερέωση πρέπει να είναι ασφαλής σε σχέση τόσο με το βάρος του απορροφητήρα όσο και στις καταπονήσεις που οφείλονται στην ενδεχόμενη πλευρική μετατόπιση της συσκευής. Μετά την ολοκλήρωση της στερέωσης βεβαιωθείτε ότι η πλάκα είναι σταθερή.
- Σε περίπτωση που η οροφή δεν είναι αρκετά ανθεκτική στο σημείο ανάρτησης, ο εγκαταστάτης θα πρέπει να την ενισχύσει με κατάλληλα αγκυρωμένα ελάσματα σε ανθεκτικά δομικά σημεία.
- Ελέγξτε το αλφάδιασμα της πλάκας στην οροφή.



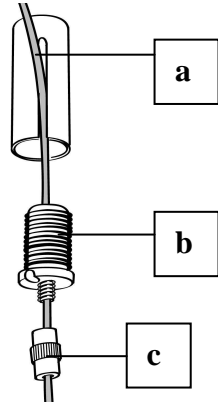
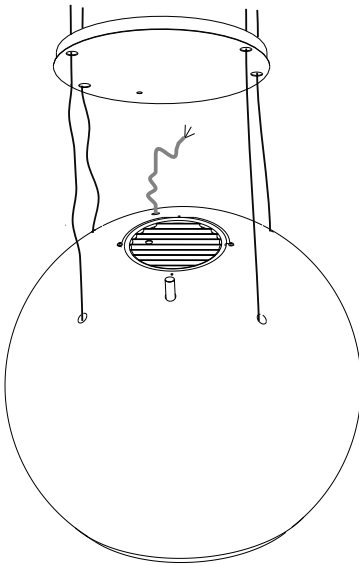
ΣΥΝΔΕΣΗ ΚΑΛΩΔΙΩΝ ΑΠΟΡΡΟΦΗΤΗΡΑ-ΠΛΑΚΑΣ

ΠΡΟΣΟΧΗ: Πριν συνεχίσετε με την εγκατάσταση, πρέπει να μετακινήσετε τον απορροφητήρα σε ύψος τουλάχιστον 650 mm από την επιφάνεια των εστιών με ένα υποστήριγμα ή με τη βοήθεια δεύτερου ατόμου. Προσέξτε να μην ξεπεράσετε τη μέγιστη επέκταση του απορροφητήρα που υποδεικνύεται στο σχέδιο διαστάσεων.

⚠ Το μετρώ αυτό είναι απαραίτητο, καθώς για να συνδεθούν τα συρματόσχοινα του απορροφητήρα στην πλάκα που είναι τοποθετημένη στην οροφή είναι αναγκαίο το βάρος του απορροφητήρα να μην πέφτει στο σκελετό.

Το σύστημα στερέωσης των 4 συρματόσχοινων περιλαμβάνει 3 μέρη:

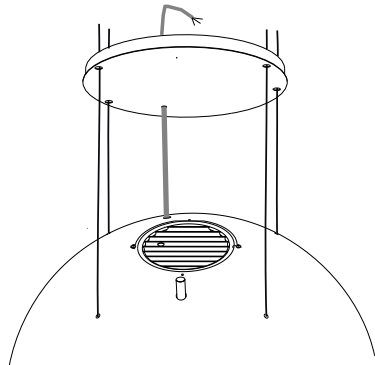
- Βιδωτός πείρος (a) τοποθετημένος στην πλάκα οροφής.
- Βίδα ασφάλισης συρματόσχοινου (b) του εξοπλισμού.
- Πόμολο ασφαλείας (c) του εξοπλισμού.



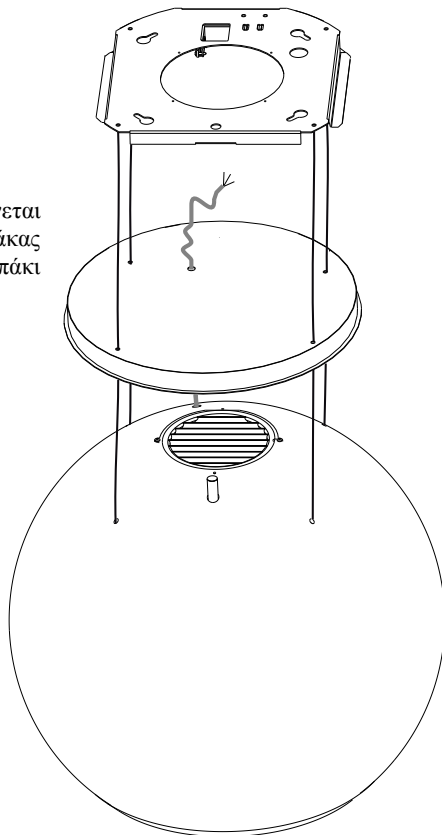
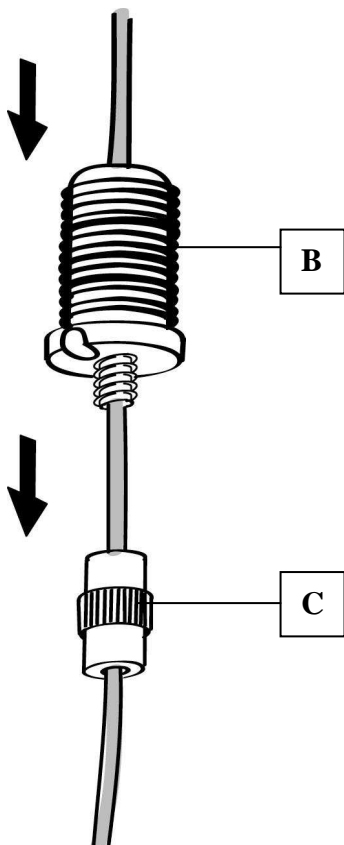
- Περάστε τα 4 συρματόσχοινα (που είναι στερεωμένα στο σώμα απορροφητήρα) στις αντίστοιχες οπές του καλύματος πλάκας, που αφαιρέσατε προηγουμένως, προσέχοντας ώστε η κατεύθυνση να είναι ίδια με εκείνη της πλάκας που είναι στερεωμένη στην οροφή.

- Βάλτε το ηλεκτρικό καλώδιο του απορροφητήρα στην οπή που υπάρχει στο καπάκι.

Προσοχή: Μην κόψετε ή αφαιρέσετε το δεματικό που στερεώνει το ηλεκτρικό καλώδιο στον απορροφητήρα



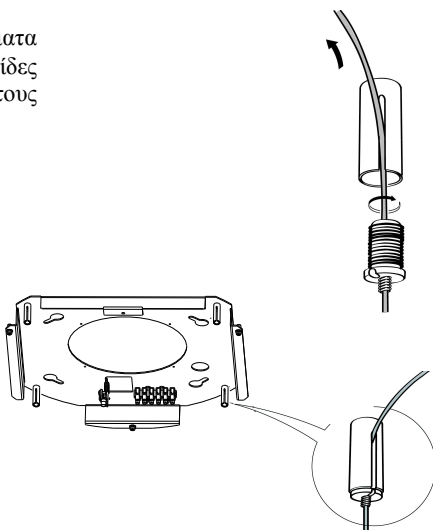
- Προσέξτε τη φορά της πλάκας που στερεώνεται στην οροφή (ο πείρος τερματισμού της πλάκας έχει άνοιγμα που προσαρμόζει στο καπάκι πλάκας και στο σώμα του απορροφητήρα).



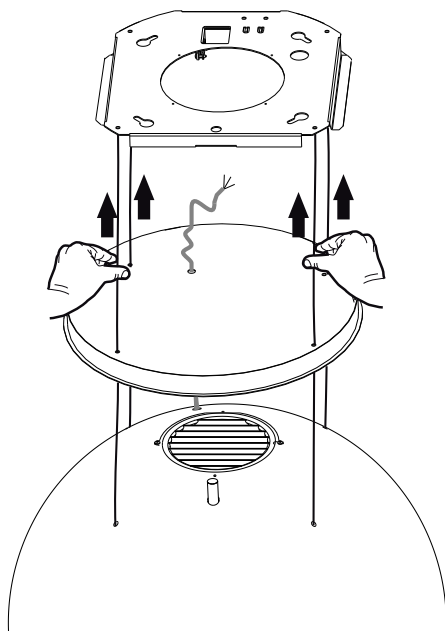
- Περάστε τα πόμολα ασφαλείας (e) στα αντίστοιχα συρματόσχοινα με το σπείρωμα προς τα πάνω.
- Περάστε τις βίδες ασφάλισης συρματόσχοινου (b) στα αντίστοιχα συρματόσχοινα.

- Περάστε τα συρματόσχοινα στα ανοίγματα των βιδωτών πείρων (a) και βιδώστε τις βίδες ασφάλισης συρματόσχοινων (b) στους πείρους.

- Όταν τελειώσετε, το αποτέλεσμα πρέπει να είναι όπως της εικόνας και με τα 4 συρματόσχοινα.



- Στο σημείο αυτό και τα 4 συρματόσχοινα είναι συνδεδεμένα στην πλάκα.



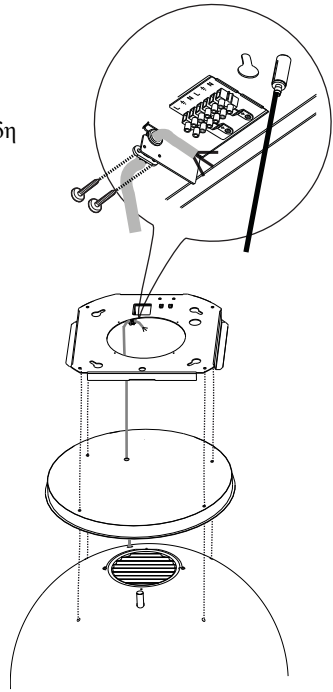
Τεντώστε τα συρματόσχοινα πιέζοντας προς τα πάνω έτσι ώστε να κινηθούν μέσα στη βίδα ασφάλισης συρματόσχοινου και έξω από το άνοιγμα του βιδωτού πείρου.

Αυτό επιτρέπεται γιατί η βίδα ασφάλισης συρματόσχοινου διαθέτει ένα σύστημα που επιτρέπει την κίνηση του συρματόσχοινου στο εσωτερικό της προς μία μόνο κατεύθυνση, μπλοκάροντας την κίνηση προς την αντίθετη φορά.

Προσέξτε ώστε τα συρματόσχοινα να έχουν το ίδιο μήκος για να διευκολύνεται η διαδικασία του τελικού αλφαδιάσματος και το εμπρός αριστερό συρματόσχοινο δεν πρέπει να είναι πιο λασκαρισμένο από τα άλλα.

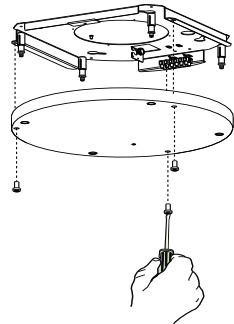
ΣΤΕΡΕΩΣΗ ΗΛΕΚΤΡΙΚΟΥ ΚΑΛΩΔΙΟΥ

- Τεντώστε το ηλεκτρικό καλώδιο και στερεώστε το στο στήριγμα πάνω στην πλάκα οροφής χρησιμοποιώντας την ήδη τοποθετημένη προεξοχή με 2 βίδες.
- Προσαρμόστε το λαστιχένιο στυπιοθλίπτη, που είναι ήδη περασμένος στο ηλεκτρικό καλώδιο, στο άνοιγμα για να αποφύγετε μελλοντικές ζημιές.
- Συνδέστε τον απορροφητήρα στο δίκτυο παρεμβάλλοντας διπολικό διακόπτη με άνοιγμα επαφών τουλάχιστον 3 mm.
- Βγάλτε τα φίλτρα για λίπη (βλ. παρ. "Συντήρηση") και βεβαιωθείτε ότι ο συνδετήρας του ηλεκτρικού καλωδίου έχει συνδεθεί σωστά στην υποδοχή της μονάδα αναρρόφησης.
- Στο σημείο αυτό μπορείτε να κόψετε το δεματικό που στερεώνει το ηλεκτρικό καλώδιο στο σώμα απορροφητήρα.



ΤΟΠΟΘΕΤΗΣΗ ΚΑΠΑΚΙΟΥ ΠΛΑΚΑΣ

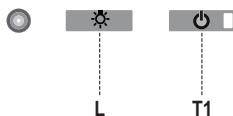
- Βιδώστε και πάλι το καπάκι στην πλάκα με τις βίδες που αφαιρέσατε προηγουμένως.



ΕΞΟΔΟΣ ΑΕΡΑ ΜΟΝΤΕΛΟΥ ΑΝΑΚΥΚΛΩΣΗΣ

- Ανοίξτε το φωτιστικό τραβώντας το στην ειδική εγκόπη.
- Αφαιρέστε το φίλτρο λίπους.
- Βεβαιωθείτε για την παρουσία των φίλτρων ενεργού άνθρακα.

Πίνακας χειριστηρίων



Πλήκτρο	Λειτουργία	Οθόνη
L	Ανάβει/Σβήνει τα φώτα.	-
T1	Απορροφητήρας κάτω Αν το πιέσετε για 2 δευτερόλεπτα ανεβάζει στον απορροφητήρα. Αν το πιέσετε για λίγο Ανάβει/Σβήνει το μοτέρ.	Αναμμένη/Σβηστή
	Απορροφητήρας πάνω Πρώτη πίεση: Ο απορροφητήρας κατεβαίνει. Δεύτερη πίεση: Ο απορροφητήρας σταματά. Όταν ολοκληρωθεί η μετακίνηση, το μοτέρ ανάβει στη δεύτερη ταχύτητα.	Σβηστή/Σβηστή

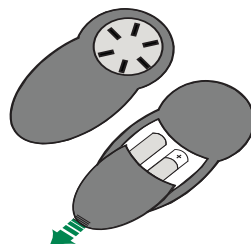
Το ηλεκτρονικό σύστημα αναγνωρίζει δύο τύπους βλαβών και φροντίζει να δώσει την αντίστοιχη σήμανση

Led T1	
Αργή αναλαμπή	Υπέρβαση του ορίου απορρόφησης ρεύματος: Σε περίπτωση που παρουσιαστεί υπερφότωση, η βλάβη επισημαίνεται με την αναλαμπή ανά 2 δευτερόλεπτα του Led T1 στον πίνακα χειριστηρίων. Βεβαιωθείτε ότι δεν υπάρχουν εμπόδια κατά την κίνηση του απορροφητήρα. Αυτή η σήμανση παραμένει ενεργοποιημένη μέχρι την επόμενη εντολή ανοίγματος/κλεισίματος του απορροφητήρα.
Γρήγορη αναλαμπή	Επέμβαση του μικροδιακόπτη ασφαλείας κατά το άνοιγμα: Σε περίπτωση επέμβασης του μικροδιακόπτη ασφαλείας, η ανωμαλία επισημαίνεται από το Led T1 που αναβοσβήνει γρήγορα (κάθε 250ms) υποδεικνύοντας ότι ο απορροφητήρας έχει ξεπεράσει το στοπ τερματισμού..... Απευθυνθείτε στο Σέρβις! Κατά τη διάρκεια αυτής της βλάβης μπορείτε να χρησιμοποιήσετε τον απορροφητήρα (φώτα και μοτέρ) και σε περίπτωση που το μοτέρ είναι αναμμένο το Led T1 θα συνεχίσει να αναβοσβήνει επισημαίνοντας ότι η βλάβη υπάρχει ακόμα.

ΤΗΛΕΧΕΙΡΙΣΤΗΡΙΟ

Η συσκευή ελέγχεται και με τηλεχειριστήριο που δέχεται αλκαλικές μπαταρίες ψευδαργύρου-άνθρακα 1,5 V στάνταρ τύπου LR03-AAA (δεν περιλαμβάνεται).

- Μη βάζετε το τηλεχειριστήριο κοντά σε πηγές θερμότητας.
- Μην πετάτε τις μπαταρίες στο περιβάλλον, αλλά μόνο στους ειδικούς κάδους.



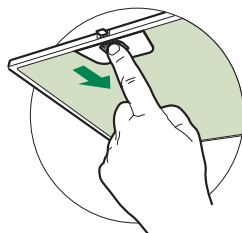
Πίνακας χειριστηρίων



Πλήκτρο	Λειτουργία	Οθόνη
	Ανάβει/Σβήνει το μοτέρ.	-
	Απορροφητήρας κλειστός: - Πιέζοντας για λίγο το πλήκτρο ο απορροφητήρας αρχίζει και καταβήκει - Στην επόμενη πίεση σταματά Όταν ολοκληρωθεί η μετακίνηση, το μοτέρ ανάβει στη 2η ταχύτητα.	-
	Απορροφητήρας ανοιχτός: - Αν το πιέσετε για 2 δευτερόλεπτα ενεργοποιείται η μετακίνηση για την άνοδο και σταματά με το τερματικό διαδρομής. - Πιέζοντας (για λίγο) σταματά η μετακίνηση (πριν από το τερματικό διαδρομής). - Πιέζοντας ακόμα για λίγο, ανάβει/σβήνει το μοτέρ. - Αν πατηθεί για 2 δευτερόλεπτα ενεργοποιεί τη μετακίνηση για την άνοδο. - Αν το μοτέρ είναι αναμμένο, πρώτα σταματά το μοτέρ και στη συνέχεια αρχίζει τη μετακίνηση.	-
	Μειώνει την ταχύτητα του μοτέρ.	-
	Αυξάνει την ταχύτητα του μοτέρ.	-
	ΕΝΤΟΝΗ - Ενεργοποιείται μόνο με τον απορροφητήρα καταβασμένο και όταν δεν έχει ενεργοποιήσει το delay ή το 24h . - Ενεργοποιεί την έντονη ταχύτητα από όλες τις ταχύτητες. Για την απενεργοποίηση αρκεί να πιέσετε πάλι το πλήκτρο ή να σβήσετε το μοτέρ. - Η έντονη ταχύτητα ενεργοποιείται με χρονοδιακόπτη 6 λεπτών. Με την πάροδο των 6 λεπτών το σύστημα επανέρχεται αυτόματα στην προηγούμενη ταχύτητα.	Το Led που υπάρχει στο πλήκτρο μοτέρ (στα χειριστήρια απορροφητήρα), αναβοσβήνει 1 φορά το ευτερόλεπτο.
	Αν το πιέσετε για λίγο λειτουργία Delay: Δεν επιλέγεται με ενεργοποιημένη τη λειτουργία Έντονη ή 24h. Ενεργοποιεί και απενεργοποιεί τη λειτουργία ολικού σβησίματος του απορροφητήρα (μοτέρ+φωτισμός) μετά από 30 λεπτά. Για να απενεργοποιήσετε τη λειτουργία Delay πιέστε το ίδιο πλήκτρο ή σβήστε το μοτέρ.	Το Led που υπάρχει στο πλήκτρο μοτέρ (στα χειριστήρια απορροφητήρα), αναβοσβήνει κάθε 0,5 δευτερόλεπτο.
	Αν το πιέσετε για 2 δευτ. λειτουργία 24H: Δεν επιλέγεται με ενεργοποιημένη τη λειτουργία Έντονη ή Delay. Ενεργοποιεί ή απενεργοποιεί τη λειτουργία 24 για 10 λεπτά κάθε ώρα, για 24 ώρες. Στο τέλος απενεργοποιείται.	Το Led που υπάρχει στο πλήκτρο μοτέρ (στα χειριστήρια απορροφητήρα), αναβοσβήνει κάθε 2 δευτερόλεπτα.
	Ανάβει/Σβήνει τα φώτα τ ο απορροφητήρα.	-

Μεταλλικό φίλτρο για λίπη

Μπορεί να πλυθεί στο πλυντήριο πιάτων και απαιτεί καθαρισμό τουλάχιστον κάθε 2 μήνες χρήσης ή συχνότερα σε περίπτωση ιδιαίτερα συχνής χρήσης.



ΚΑΘΑΡΙΣΜΟΣ ΜΕΤΑΛΛΙΚΟΥ ΦΙΛΤΡΟΥ ΓΙΑ ΛΙΠΗ

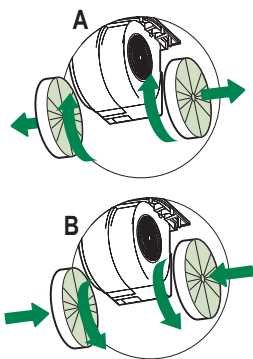
- Ανοίξτε το φωτιστικό τραβώντας το στην ειδική εγκοπή.
- Βγάλτε το φίλτρο πιέζοντας προς το πίσω μέρος της συσκευής και τραβώντας ταυτόχρονα προς τα κάτω.
- Πλύνετε το φίλτρο χωρίς να το στραβώσετε και αφήστε το να στεγνώσει πριν το τοποθετήσετε στη θέση του.
- Τοποθετήστε το έτσι ώστε η λαβή να παραμείνει προς το εξωτερικό μέρος.
- Κλείστε το φωτιστικό.

Φίλτρα ενεργού άνθρακα για οσμές (Μοντέλο ανακύκλωσης)

Δεν μπορεί να πλυθεί και να αναγεννηθεί και πρέπει να αντικαθίσταται περίπου κάθε 4 μήνες χρήσης ή συχνότερα σε περίπτωση ιδιαίτερα συχνής χρήσης.

ΑΝΤΙΚΑΤΑΣΤΑΣΗ

- Ανοίξτε το φωτιστικό.
- Αφαιρέστε το φίλτρο λίπους.
- Βγάλτε τα κορεσμένα φίλτρα ενεργού άνθρακα όπως στο σχέδιο (Α).
- Τοποθετήστε τα νέα φίλτρα όπως στο σχέδιο (Β).
- Τοποθετήστε το φίλτρο για λίπη και το φωτιστικό.



Φωτισμός

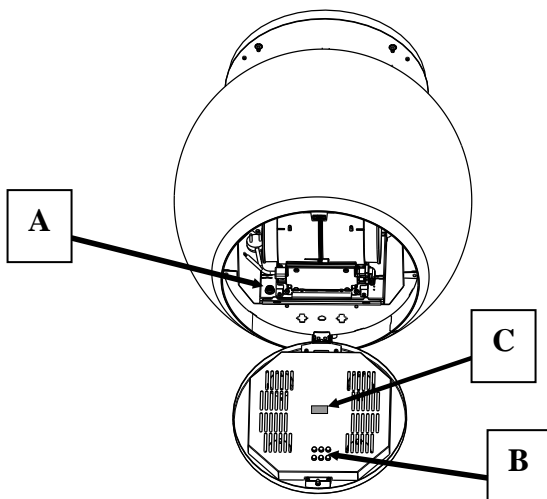
- Για την αντικατάσταση απευθυνθείτε στο Σέρβις ("Για την αγορά απευθυνθείτε στο Σέρβις").

Συμπληρωματικές οδηγίες για τον εγκαταστάτη

Φωτισμός σώματος απορροφητήρα

Μπορείτε να ρυθμίσετε το χρώμα και την ένταση του φωτισμού του σώματος απορροφητήρα

- Ανοίξτε το φωτιστικό τραβώντας το στην ειδική εγκοπή.
- Ρυθμίστε το φωτισμό, χρησιμοποιώντας τα πλήκτρα του πληκτρολόγιου **B**, ακολουθώντας τις οδηγίες που αναγράφονται στην ετικέτα **C**

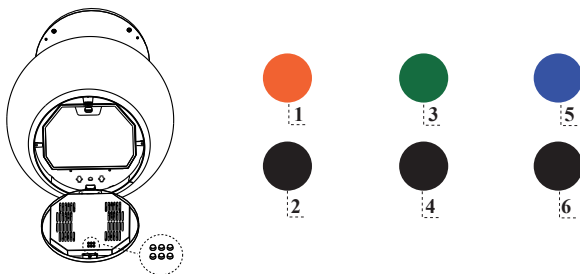


Διαδικασία επέμβασης σε περίπτωση ανωμαλίας στην κίνηση

1. Βεβαιωθείτε ότι η ασφάλεια είναι σωστά τοποθετημένη και δεν έχει καεί. Για ενδεχόμενη αντικατάσταση, ανοίξτε το φωτιστικό, ξεβιδώστε την ασφάλεια και αντικαταστήστε την με ασφάλεια ίδιου χαρακτηριστικών (αναφ. **A**).
2. Βεβαιωθείτε ότι το σώμα του απορροφητήρα είναι αλαδιασμένο.
3. Βεβαιωθείτε ότι και τα τέσσερα συρματόσχοινα είναι τεντωμένα με τον ίδιο τρόπο.

Εάν οι προηγούμενες ενέργειες δεν λύσουν το πρόβλημα, απευθυνθείτε στο Σέρβις.

Ρύθμιση του φωτισμού του σώματος απορροφητήρα



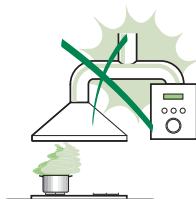
Πλήκτρο	Χρώμα	Λειτουργία
1	Κόκκινο	Ελέγχει την ένταση του κόκκινου χρώματος. Κρατώντας το πλήκτρο πατημένο η ένταση αυξάνεται ή μειώνεται σε κάθε πίεση. Τα μέγιστα και ελάχιστα όρια της έντασης επισημαίνονται από μια σύντομη αναλαμπή του επιλεγμένου χρώματος στο φωτιστικό.
2	Μαύρο	Ελέγχει την ταχύτητα αλλαγής των χρωμάτων όταν χρησιμοποιούνται και τα δύο προγράμματα του πλήκτρου 4. Σε κάθε πίεση η ταχύτητα αυξάνεται ή μειώνεται. Η μείωση επισημαίνεται από μια σύντομη αναλαμπή. Απενεργοποιούνται πιέζοντας το πλήκτρο 6.
3	Πράσινο	Ελέγχει την ένταση του πράσινου χρώματος. Κρατώντας το πλήκτρο πατημένο η ένταση αυξάνεται ή μειώνεται σε κάθε πίεση. Τα μέγιστα και ελάχιστα όρια της έντασης επισημαίνονται από μια σύντομη αναλαμπή του επιλεγμένου χρώματος στο φωτιστικό.
4	Μαύρο	Ελέγχει τα 2 προγράμματα για την αλλαγή των χρωμάτων: Απαλό ή που αναβοσβήνει. Απενεργοποιούνται πιέζοντας το πλήκτρο 6.
5	Μπλε	Ελέγχει την ένταση του μπλε χρώματος. Κρατώντας το πλήκτρο πατημένο η ένταση αυξάνεται ή μειώνεται σε κάθε πίεση. Τα μέγιστα και ελάχιστα όρια της έντασης επισημαίνονται από μια σύντομη αναλαμπή του επιλεγμένου χρώματος στο φωτιστικό.
6	Μαύρο	Ανάβει – Σβήνει το φως Αρχικά στο On το χρώμα του απορροφητήρα είναι λευκό. Μπορείτε να το αλλάξετε κατά βούληση αυξάνοντας ή μειώνοντας την ένταση των χρωμάτων με τα πλήκτρα (1-3-5). Για να επιστρέψετε στην αρχική κατάσταση αυξήστε στο μέγιστο την ένταση και των 3 χρωμάτων με τα πλήκτρα (1-3-5). Πιέζοντας το πλήκτρο για 3 δευτερόλεπτα μπορείτε να αποθηκεύσετε το επιλεγμένο χρώμα.

СОВЕТЫ И РЕКОМЕНДАЦИИ

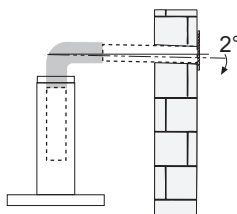
- △ В Инструкциях по эксплуатации описаны различные модели прибора. Поэтому вы можете встретить описание некоторых характеристик, не относящихся к приобретенному вами прибору.

УСТАНОВКА

- Изготовитель не несет ответственность за убытки, возникающие в результате неправильной установки или эксплуатации прибора.
- Безопасное расстояние между варочной панелью и всасывающей вытяжкой должно быть не менее 650 мм (некоторые модели можно устанавливать ниже; см. раздел, посвященный рабочим размерам и операциям по установке прибора).



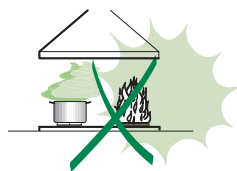
- Проверьте соответствие напряжения сети указанному на табличке, закрепленной внутри вытяжки.
- Для приборов класса I проверьте, чтобы в электрической сети вашего дома была предусмотрена соответствующая система заземления. Соедините вытяжку с дымоходом с помощью трубы минимального диаметра 120 мм. Труба для отведения дыма должна быть как можно короче.
- Не соединяйте всасывающую вытяжку с дымоходами, по которым выводится дым, образующийся в процессе горения (например, отопительные котлы, камины и проч.).
- Если вытяжной аппарат используется в сочетании с приборами, работающими не от электрического тока (например, газовые приборы), помещение должно хорошо проветриваться во избежание обратного потока отходящих газов. Для притока в помещение свежего воздуха на кухне должно быть предусмотрено выходящее на улицу окно. При пользовании кухонной вытяжкой в сочетании с приборами, работающими не от электрического тока, отрицательное давление в помещении не должно превышать 0,04 мбар с тем, чтобы дым не всасывался вытяжкой обратно в помещение.
- Во избежание опасности в случае повреждения кабеля питания, он должен быть заменен изготовителем или специалистами отдела технического обслуживания.



- Если в инструкциях по установке газовой плиты сказано, что расстояние до вытяжки должно быть больше указанного выше, следует придерживаться предписанных размеров. Соблюдайте все нормативные требования по отведению отработанного воздуха.
- Используйте только винты и метизы, пригодные для установки вытяжки. **Предупреждение:** использование винтов и зажимных устройств, не соответствующих указаниям данных инструкций, может привести к возникновению опасных ситуаций и к электрическим ударам.
- Соедините вытяжку с сетью питания с помощью двухполюсного выключателя с минимальным разведением контактов 3 мм.

ЭКСПЛУАТАЦИЯ

- Всасывающая вытяжка предназначена только для применения в быту для удаления из кухни запахов от готовки.
- Никогда не пользуйтесь вытяжкой в иных целях, отличных от тех, для которых она предназначена.
- Никогда не оставляйте высокое пламя под вытяжкой, находящейся в работе.
- Регулируйте силу пламени таким образом, чтобы оно оставалось под дном емкости для готовки и не вырывалось за его пределы.
- При готовке во фритюрнице постоянно следите за ее работой: сильно нагретое масло может воспламениться.
- Не готовьте блюда фламбе под вытяжкой: опасность возникновения пожара.
- Прибором могут пользоваться дети старше 8 лет и лица с ограниченными психическими, физическими и сенсорными способностями, а также не имеющие достаточного опыта и знаний, но только под присмотром ответственных лиц и при условии, что они обучены безопасной эксплуатации прибора и знают о связанных с его неправильным использованием опасностях. Следите, чтобы дети не играли с прибором. Очистку и уход за прибором должен обеспечивать пользователь, такие действия могут выполнять и дети, но только под надзором взрослых.




- “ **ВНИМАНИЕ:** доступные части вытяжки могут сильно нагреваться во время работы газовых приборов.

УХОД

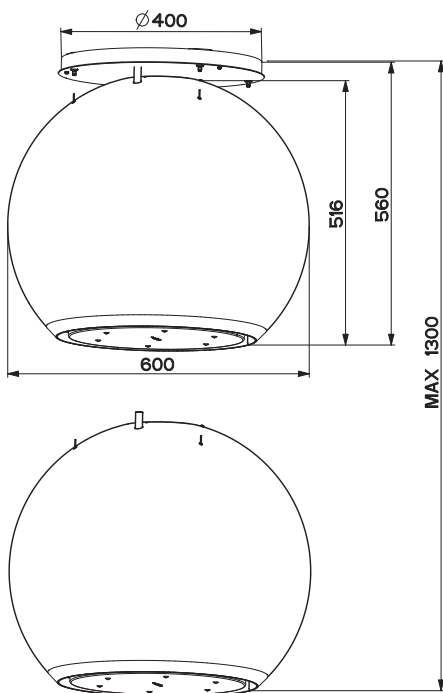
- Перед выполнением любой операции по очистке и уходу выключите или отсоедините прибор от электрической сети.
- Очищайте и/или заменяйте фильтры по истечении указанного периода времени (опасность возникновения пожара).
- Жировые фильтры необходимо очищать раз в 2 месяца работы или чаще в случае очень интенсивного использования прибора; жировые фильтры можно мыть в посудомоечной машине.
- Фильтр на активированном угле нельзя мыть и восстанавливать, его следует менять примерно раз в 4 месяца работы или чаще в случае очень интенсивного использования прибора.
- "Опасность возникновения пожара, если очистка прибора не выполняется в соответствии с инструкциями".
- Очищайте вытяжку влажной тряпкой, смоченной в нейтральном жидком моющем веществе.



Символ  на изделии или на упаковке указывает, что прибор нельзя выбрасывать, как обычный бытовой мусор. Прибор, подлежащий уничтожению, необходимо сдать в специальный сборный пункт для повторного использования электрических и электронных компонентов. Пользователь, правильно сдающий прибор на переработку, помогает предотвратить потенциальные негативные последствия для окружающей среды и для здоровья людей, возникающие в случае неправильного его уничтожения. За более подробной информацией о вторичном использовании прибора обращайтесь в городской совет, в местную службу по переработке отходов или в магазин, где прибор был приобретен.

ХАРАКТЕРИСТИКИ

Габариты

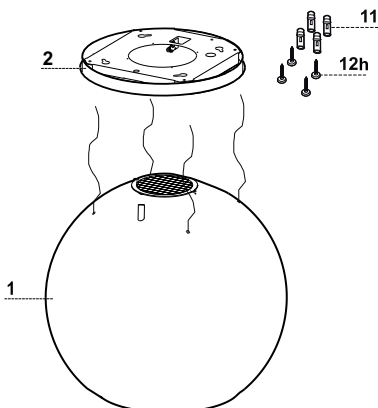


Части

Об.	Кол.	Части изделия
1	1	Корпус вытяжки в комплекте с устройствами управления, освещением, фильтрами, двигателем
2	1	Опорная плита вытяжки

Об.	Кол.	Установочные компоненты
11	4	Дюбели $\varnothing 10$
12h	4	Винты 4,2 x 44,4

Кол.	Документация
1	Руководство по эксплуатации



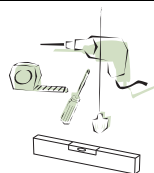
УСТАНОВКА

Вытяжка может быть закреплена к потолку/полке на расстоянии не менее 650 мм от независимой варочной панели:

- **Фильтрующая вытяжка:** рециркуляция воздуха в помещении.

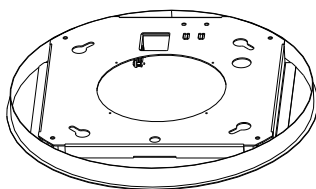
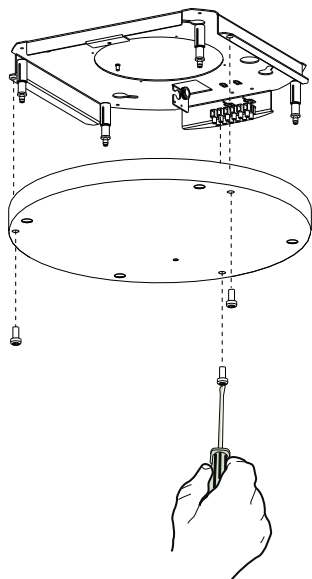
Последовательность операций по установке

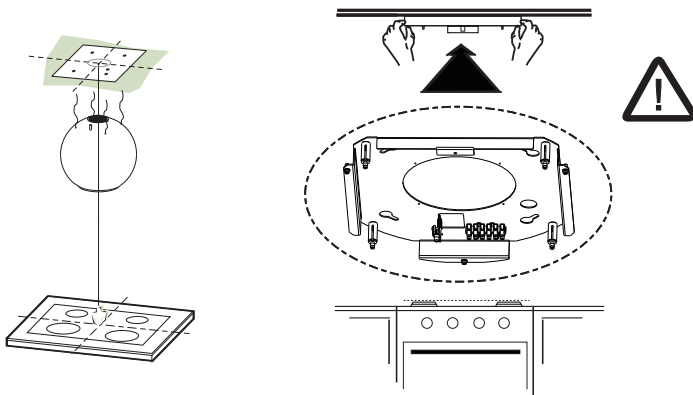
- Подготовка к установке
- Отверстие в потолке/полке и крепление опорной плиты
- Соединения
- Установка корпуса вытяжки
- Функциональная проверка
- Уничтожение упаковочных материалов



Подготовка к установке монтажной плиты

- Отвинтите винты, соединяющие монтажную плиту с ее крышкой.
- Возьмите плиту и разместите ее, как показано на рисунке.





Отверстия в потолке/полке и крепление плиты

ПОДГОТОВКА ОТВЕРСТИЙ В ПОТОЛКЕ/ПОЛКЕ

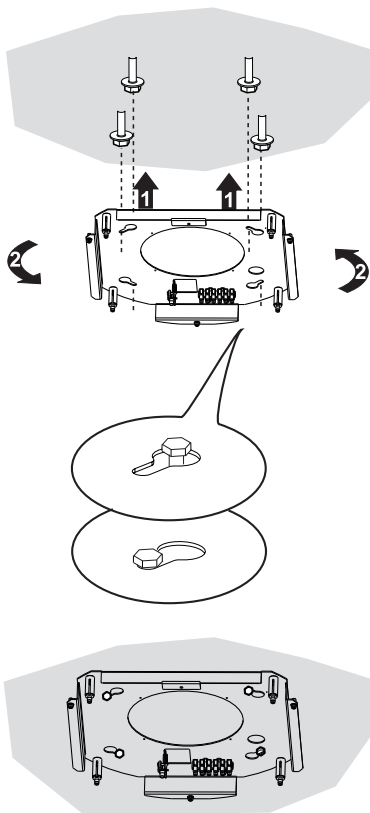
- С помощью отвеса определите на потолке/подвесной полке центр варочной панели.
- Приложите к потолку/полке плиту, как показано на рисунке.
- Отметьте центры отверстий плиты.
- Просверлите отверстия.
 - В потолке из компактного бетона: в соответствии с используемыми для бетона дюбелями.
 - В потолке из пустотелого кирпича толщиной 20 мм: отверстия \varnothing 10 мм (сразу же вставьте прилагаемые дюбели **11**).
 - В потолке из деревянных балочных перекрытий: в соответствии с используемыми шурупами для дерева (не входят в комплект поставки).
 - В деревянной полке толщиной 15 мм: отверстие \varnothing 7 мм
 - Проходное отверстие для электрического кабеля питания: отверстие \varnothing 10 мм
- Ввинтите крест-накрест два винта, оставив до потолка 4-5 мм:
 - в потолок из компактного бетона - дюбели для бетона (не входят в комплект поставки)
 - в потолок из пустотелого кирпича толщиной около 20 мм - прилагаемые винты **12h**
 - в потолок из деревянных балочных перекрытий - шурупы для дерева (не входят в комплект поставки)
 - в деревянную полку - шурупы с шайбами и гайками (не входят в комплект поставки).

КРЕПЛЕНИЕ ПЛИТЫ

- Приподнимите установочную плиту и вставьте в отверстия два винта, предварительно подготовленные в потолке; поверните плиту до центра регулировочного отверстия.

Внимание: направление установки плиты должно соответствовать показанному на рисунке.

- Затяните оба винта и привинтите еще два винта, прилагаемые в комплекте; прежде чем затянуть винты окончательно, поворотом плиты можно отрегулировать ее положение; следите, чтобы винты при этом не вышли из регулировочного отверстия.
- Крепление плиты должно быть надежным относительно веса вытяжки и нагрузок, оказываемых случайными боковыми толчками на установленный прибор. После завершения операций проверьте устойчивое положение плиты.
- Во всех случаях, когда потолок недостаточно прочен в точке крепления прибора, монтажник должен упрочить его специальными пластинами и опорными плитами, закрепленными к устойчивым структурным элементам.
- Проверьте уровень крепления плиты к потолку.



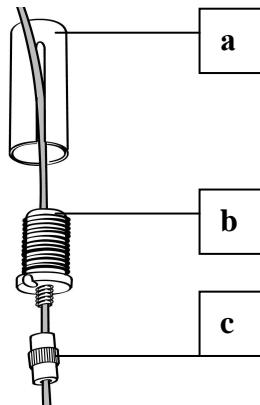
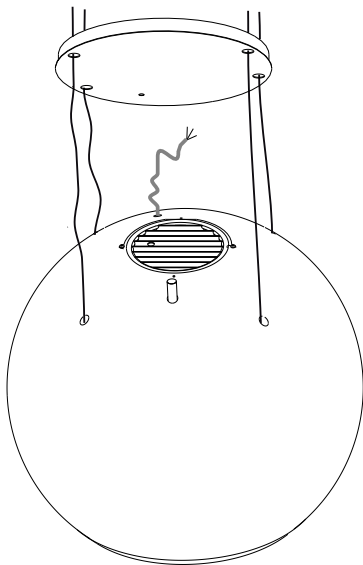
СОЕДИНЕНИЕ ПРОВОДОВ ВЫТЯЖКА - ПЛИТА

Прим. прежде чем продолжить установку, поднимите вытяжку на высоту на менее 650 мм над варочной панелью, установив опору, или с помощью второго человека. Следует проследить за тем, чтобы вытяжка не выступала далее, чем указано на чертеже с габаритными размерами.

⚠ Это необходимо, так как во время соединения проводов вытяжки с закрепленной к потолку плитой вес прибора **не должен** тяготеть структуру.

Система крепления 4 проводов состоит из 3 частей

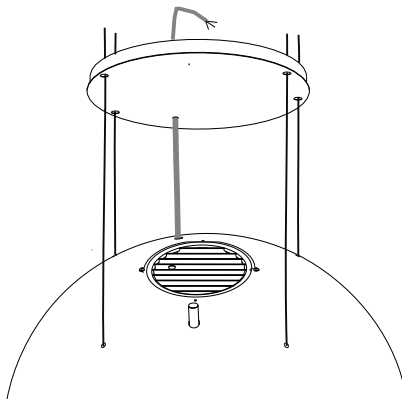
- Зашелка с резьбой (а), установленная на потолочной плите.
- Кабельный фиксатор (b), прилагаемый в комплекте.
- Предохранительная рукоятка (с), прилагаемая в комплекте.



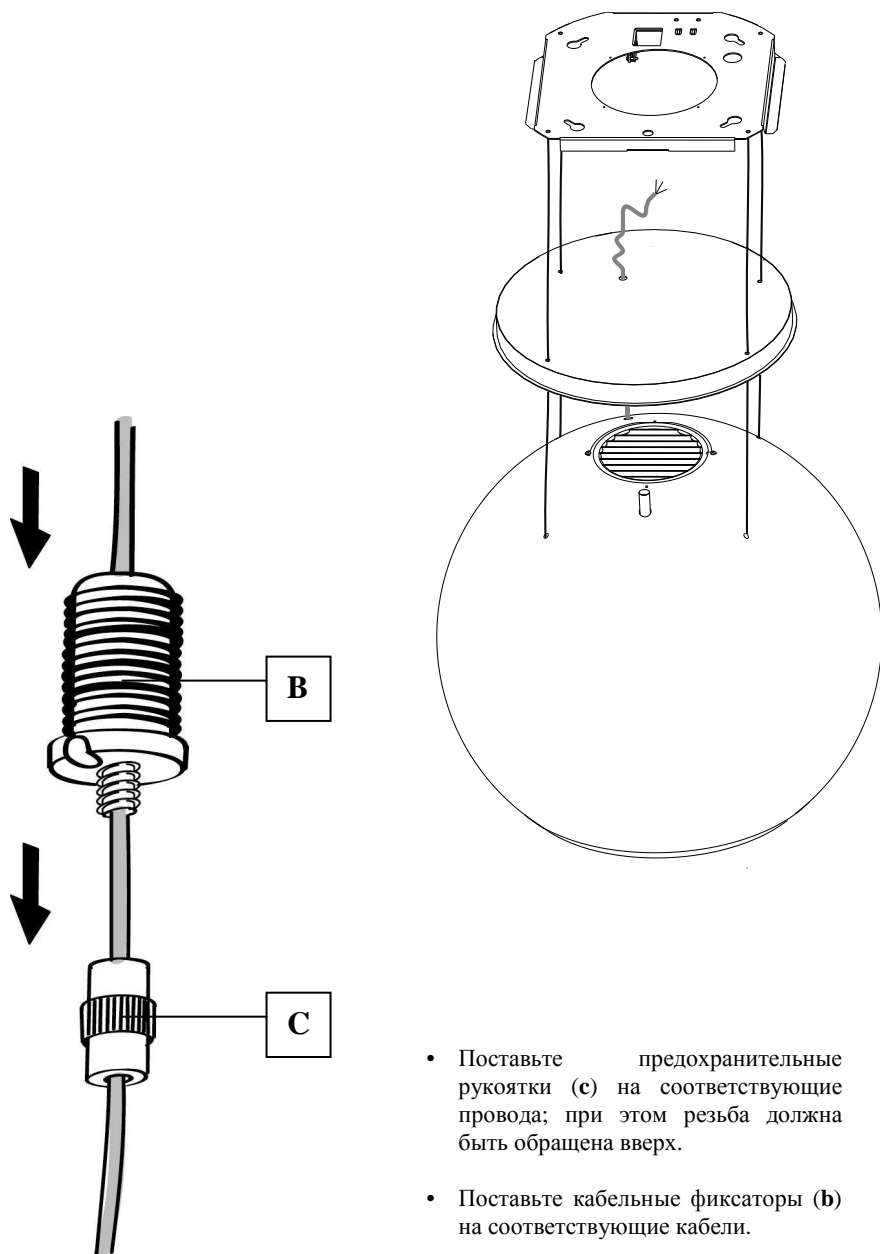
- Пропустите 4 провода (прикреплены к корпусу вытяжки) в соответствующие отверстия в заранее снятой крышке плиты, следя за тем, чтобы сторона крышки соответствовала стороне плиты, смонтированной на потолке.

- Вставьте кабель питания вытяжки в отверстие, предусмотренное в крышке.

Внимание! Хомутик, обеспечивающий крепление кабеля питания к вытяжке, должен оставаться на своем месте и не иметь никаких повреждений.



- Обратите внимание на положение, в котором плита закреплена к потолку (ограничительной собачке соответствует отверстие в крышке плиты и в корпусе вытяжки).

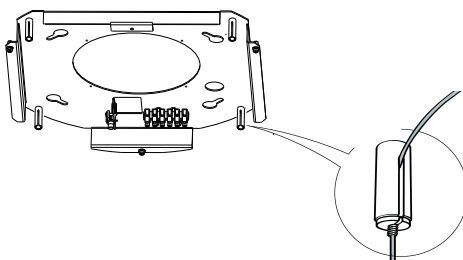


- Поставьте предохранительные рукоятки (c) на соответствующие провода; при этом резьба должна быть обращена вверх.
- Поставьте кабельные фиксаторы (b) на соответствующие кабели.

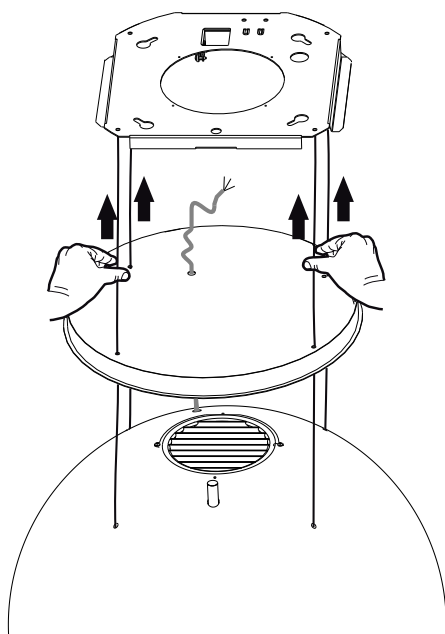
- Пропустите провода через отверстия в защелках с резьбой (а) и привинтите винты кабельных фиксаторов (b) к защелкам.



- По завершении операции все 4 провода должны быть закреплены, как показано на рисунке.



- Таким образом все 4 провода соединены с платой.



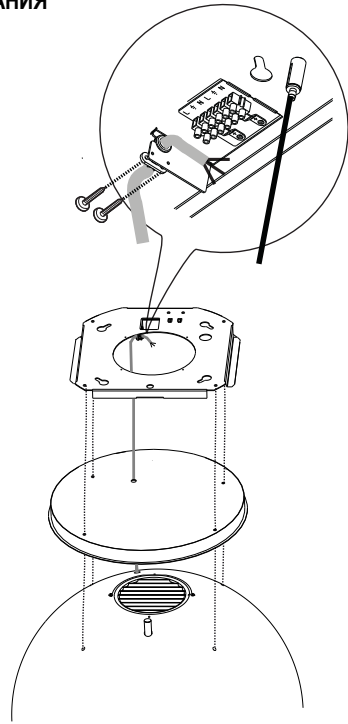
Подайте на провода напряжение, прижав их кверху, чтобы они проходили внутри кабельных фиксаторов и снаружи отверстия защелки с резьбой.

В конструкции кабельных фиксаторов предусмотрена система, позволяющая кабелю скользить внутри фиксаторов только в одном направлении.

Следите, чтобы все провода были одинаковой длины (это необходимо для заключительного выравнивания вытяжки), и чтобы левый передний трос не был натянут меньше, чем другие.

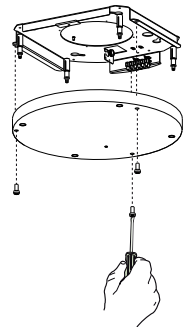
КРЕПЛЕНИЕ КАБЕЛЯ ПИТАНИЯ

- Натяните кабель питания и закрепите его 2 винтами на скобе на потолочной плите с помощью уже установленного язычка.
- Разместите уже поставленный на кабель питания резиновый уплотнитель в отверстии во избежания его повреждения в будущем.
- Соедините вытяжку с сетью питания; для этого установите двухполюсный выключатель с минимальным разведением контактов 3 мм.
- Выньте жировые фильтры (см. раздел "Обслуживание") и проверьте, чтобы соединительный зажим питающего кабеля был правильно вставлен в разъем вытяжного устройства.
- После этого можно срезать хомутик, которым кабель питания крепится к корпусу вытяжки.



УСТАНОВКА ВЕРХНЕЙ ПАНЕЛИ МОНТАЖНОЙ ПЛИТЫ

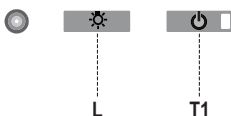
- Прикрутите крышку к монтажной плите, с помощью винтов, выкрученных ранее.



ВЫПУСК ВОЗДУХА ИЗ ФИЛЬТРУЮЩЕЙ ВЫТЯЖКИ

- Потяните за специальный вырез и откройте осветительный прибор.
- Удалить жировой фильтр.
- Проверьте наличие фильтров против запахов на активированном угле.

Панель управления



Кнопка	Функция	Дисплей
L	Включает и выключает освещение.	-
T1	Вытяжка в нижнем положении При нажатии в течение 2 секунд поднимает вытяжку. При кратком нажатии включает и выключает двигатель.	Включено / выключено
	Вытяжка в верхнем положении Первое нажатие: Вытяжка опускается. Второе нажатие: Вытяжка останавливается. По завершении движения вытяжки двигатель включается на второй скорости.	Выключено / выключено

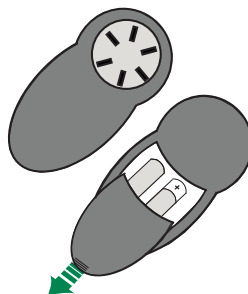
Электроника распознает два типа неисправностей и подает соответствующие сигналы

Индикатор T1	
Медленное мигание	Превышение порога потребления тока При выявлении условий перегрузки система сигнализирует о неисправности миганием индикатора T1 на кнопочной панели каждые 2 секунды. Проверьте, чтобы движению вытяжки ничто не мешало. Такой сигнал сохраняется до новой команды раскрытия/закрытия вытяжки.
Быстрое мигание	Срабатывание защитного микровыключателя на этапе раскрытия При срабатывании защитного микровыключателя о неисправности сигнализирует быстро мигающий T1 индикатор (каждые 250 мсек), указывающий на то, что вытяжка зашла за ограничительный предел..... Обратитесь в техническое обслуживание! Во время этой неисправности можно все равно пользоваться функциями вытяжки (освещение и двигатель), и если двигатель включен, индикатор T1 будет продолжать мигать, указывая на то, что неисправность еще присутствует.

ПУЛЬТ ДИСТАНЦИОННОГО УПРАВЛЕНИЯ

Данным прибором можно управлять пультом дистанционного управления на щелочных батарейках с угольным элементом 1,5 В стандартного типа LR03-AAA (не включено в комплект поставки).

- Не оставлять пульт вблизи от источников тепла.
- Не выбрасывать батарейки вместе с обычным мусором, складывать их в специальные сборные емкости.



Панель управления



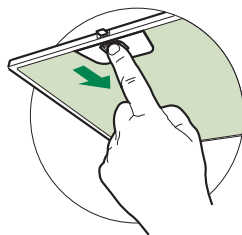
Кнопка	Функция	Дисплей
	Включает / выключает двигатель.	-
	Вытяжка закрыта: - кратким нажатием на кнопку вытяжка начинает опускаться - при следующем нажатии на кнопку вытяжка останавливается. По завершении движения вытяжки двигатель включается на 2-й скорости.	-
	Вытяжка открыта: - нажатие кнопки в течение 2 секунд включает подъем вытяжки, которая останавливается ограничителем - кратким нажатием кнопки движение вытяжки прекращается (до ограничителя) - еще одним кратким нажатием кнопки включается / выключается двигатель - нажатие кнопки в течение 2 секунд включает подъем вытяжки - если двигатель включен, сначала останавливает его, а потом включает движение вытяжки	-
	Понижает скорость работы двигателя.	-
	Повышает скорость работы двигателя.	-
	ИНТЕНСИВНАЯ СКОРОСТЬ - Такая скорость может быть включена, только когда вытяжка в нижнем положении и не включены функции задержки или 24h . - Включает интенсивную скорость при любой скорости работы. - Чтобы отключить интенсивную скорость, достаточно еще раз нажать эту же кнопку или выключить двигатель. - Интенсивная скорость ограничена таймером на 6 минут. По истечении 6 минут система автоматически возвращается на заданную ранее скорость.	Индикатор на кнопке управления двигателем (в числе устройств управления вытяжкой) мигает 1 раз в секунду.
	Краткое нажатие кнопки активирует функцию задержки: Эта функция может быть включена, только когда не активированы функции интенсивная скорость или 24h . Включает и отключает режим полного останова вытяжки (двигатель и освещение) через 30 минут. Чтобы отключить функцию задержки, можно еще раз нажать эту же кнопку или выключить двигатель.	Индикатор на кнопке управления двигателем (в числе устройств управления вытяжкой) мигает каждые 0,5 секунды.
	При нажатии кнопки в течение 2 сек функция 24h: может быть включена, только когда не активированы функции интенсивная скорость или задержка . Кнопка включает и выключает функцию 24 ч с периодичностью 10 минут каждый час в течение 24 часов. По истечении этого времени функция отключается.	Индикатор на кнопке управления двигателем (в числе устройств управления вытяжкой) мигает каждые 2 секунды.
	Включает / выключает освещение вытяжки.	-

Металлический жировой фильтр

Фильтр можно мыть в посудомоечной машине. Его следует мыть примерно раз в 2 месяца работы или чаще в случае особенно интенсивного использования.

ОЧИСТКА МЕТАЛЛИЧЕСКОГО ЖИРОВОГО ФИЛЬТРА

- Потяните за специальную выемку, чтобы открыть блок освещения.
- По очереди выньте фильтры. Для этого прижмите их к задней стенке блока и одновременно потяните вниз.
- Осторожно вымойте фильтры, следя за тем, чтобы они не сгибались, и перед установкой дайте им просохнуть.
- Поставьте фильтры на место так, чтобы ручка находилась с видимой наружной стороны.
- Закройте блок освещения.

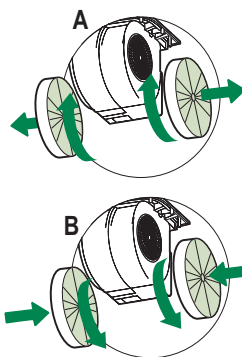


Фильтры против запахов на активированном угле (фильтрующая вытяжка)

Такие фильтры нельзя мыть и восстанавливать. Их следует менять приблизительно каждые 4 месяца работы или чаще в случае особенно интенсивного использования.

ЗАМЕНА

- Откройте осветительный прибор.
- Удалить жировой фильтр.
- Выньте насыщенные фильтры против запахов на активированном угле, как показано на рисунке (А).
- Установите новые фильтры, как показано на рисунке (В).
- Вставьте жировой фильтр и установите осветительный прибор.



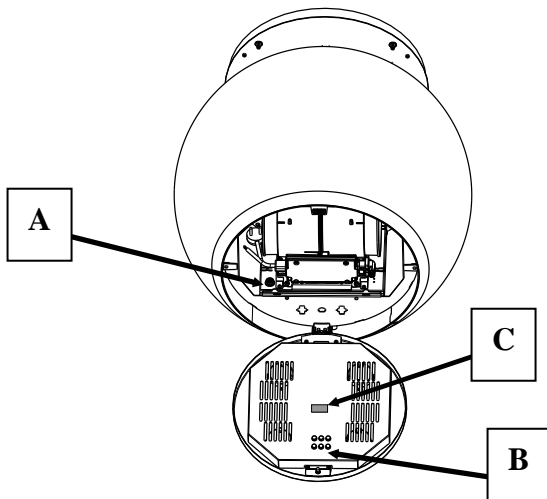
Освещение

- Для замены светодиода обращайтесь в обслуживающий центр ("Для приобретения обращайтесь в обслуживающий центр").

Освещение корпуса вытяжки

В данной модели предусмотрена возможность регулировки оттенка цвета и интенсивности освещения корпуса вытяжки.

- Потяните за специальный вырез и откройте осветительный прибор.
- Отрегулируйте освещение, пользуясь кнопками на панели **В** и следуя при этом указаниям, приведенным на наклейке **С**

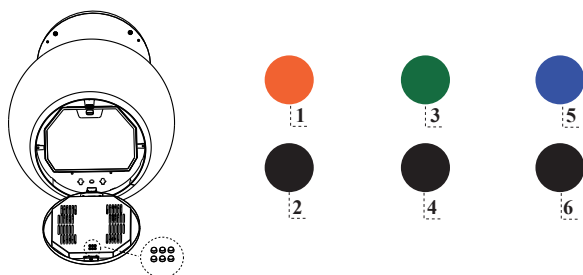


Операции в случае неправильного движения

1. Проверьте, чтобы предохранитель не перегорел и был правильно вставлен, при необходимости в его замене откройте осветительный прибор, отвинтите плавкую вставку и замените предохранитель на другой с такими же характеристиками (Об.А).
2. Убедитесь, что корпус вытяжки выставлен по уровню.
3. Убедитесь в одинаковом натяжении четырех тросов.

Если с помощью таких проверок проблема не решена, обратитесь в Центр технического обслуживания.

Регулировка освещения корпуса вытяжки



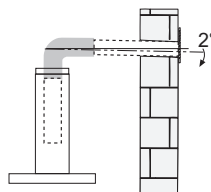
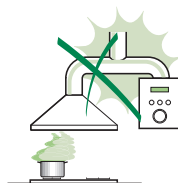
Кнопка	Цвет	Функция
1	Красный	Регулирует яркость красного цвета. При каждом длительном нажатии кнопки яркость цвета увеличивается или уменьшается. На максимальный и минимальный предел яркости указывает краткая вспышка выбранного на светильнике цвета.
2	Черный	Регулирует скорость переключения цвета при использовании обеих программ кнопки 4. При каждом нажатии скорость увеличивается или уменьшается. На снижение скорости указывает краткая вспышка. Функция отключается нажатием кнопки 6.
3	Зеленый	Регулирует яркость зеленого цвета. При каждом длительном нажатии кнопки яркость цвета увеличивается или уменьшается. На максимальный и минимальный предел яркости указывает краткая вспышка выбранного на светильнике цвета.
4	Черный	Регулирует работу 2 программ изменения цвета. Рассеянный или мигающий. Функция отключается нажатием кнопки 6.
5	Синий	Регулирует яркость синего цвета. При каждом длительном нажатии кнопки яркость цвета увеличивается или уменьшается. На максимальный и минимальный предел яркости указывает краткая вспышка выбранного на светильнике цвета.
6	Черный	Вкл - Выкл. освещения Сначала при включении освещение вытяжки белого цвета. Освещение можно изменить по желанию, а также увеличить или уменьшить яркость цвета кнопками (1-3-5). Чтобы вернуться к изначальной ситуации, следует максимально увеличить яркость всех 3 цветов с помощью кнопок (1-3-5). Нажатием кнопки в течение 3 секунд можно сохранить в памяти устройства настроенный в настоящий момент цвет.

ADVIEZEN EN SUGGESTIES

- △ De gebruiksaanwijzingen hebben betrekking op verschillende modellen van dit apparaat. Mogelijk vindt u dan ook beschrijvingen van aparte kenmerken die niet over uw specifieke apparaat gaan.

INSTALLATIE

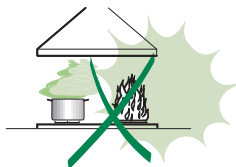
- De fabrikant is niet aansprakelijk voor eventuele schade als gevolg van een onjuiste installatie of oneigenlijk gebruik.
- De minimale veiligheidsafstand tussen de kookplaat en de afzuigkap is 650 mm (sommige modellen kunnen op een kleinere afstand worden geïnstalleerd; zie de paragraaf over de werkafmetingen en de installatie).
- Controleer of de netspanning overeenstemt met de spanning die op het typeplaatje aan de binnenkant van de afzuigkap staat vermeld.
- Controleer voor apparaten van klasse I of het elektriciteitsnet in uw woning over een goede aarding beschikt.
Sluit de afzuiginrichting op het rookkanaal aan met een pijp met een minimale diameter van 120 mm. De rook moet een zo kort mogelijk traject afleggen.
- Sluit de afzuigkap niet op rookkanalen aan die verbrandingsgassen afvoeren (bijv. van verwarmingsketels, open haarden, enz.).
- Als de afzuiginrichting in combinatie met niet-elektrische apparaten wordt gebruikt (bijv. gasapparaten), moet het vertrek voldoende geventileerd zijn om te voorkomen dat de uitgestoten gassen terugstromen. De keuken dient over een opening te beschikken die direct in verbinding staat met de buitenlucht om de toevoer van schone lucht te garanderen. Wanneer de afzuigkap in combinatie met niet-elektrische apparaten wordt gebruikt, mag de onderdruk in het vertrek niet groter zijn dan 0,04 mbar om te voorkomen dat de damp opnieuw door de afzuigkap in het vertrek gezogen wordt.
- Een beschadigd netsnoer moet door de producent of de technische servicedienst worden gerepareerd om elk risico te vermijden.
- De lucht mag niet worden afgevoerd via een slang die wordt gebruikt voor de rookafzuiging door apparaten op gas of andere brandstoffen (niet gebruiken met apparaten die alleen lucht in de ruimte afgeven).



- Als de installatievoorschriften van de gaskookplaat bepalen dat een grotere afstand in acht moet worden genomen dan hierboven is aangegeven, dan moet daar rekening mee worden gehouden. Alle regels voor de luchtafvoer moeten in acht worden genomen.
- Gebruik alleen schroeven en kleine onderdelen die geschikt zijn voor de afzuigkap.
Waarschuwing: indien de schroeven en bevestigingssysteem niet volgens deze aanwijzingen worden geïnstalleerd, bestaat het gevaar voor elektrische schokken.
- Sluit de afzuigkap op het elektriciteitsnet aan met een tweepolige schakelaar met een afstand tussen de contacten van minstens 3 mm.

GEBRUIK

- De afzuigkap is uitsluitend bedoeld voor huishoudelijk gebruik om kookgeuren te verwijderen.
- Gebruik de afzuigkap nooit voor andere doeleinden dan waarvoor hij bedoeld is.
- Laat nooit hoog brandende branders onbedekt onder een werkende afzuigkap.
- Regel de vlammen altijd zo dat ze niet langs de pannen omhoogkomen.
- Controleer frituurpannen tijdens het gebruik: de oververhitte olie zou vlam kunnen vatten.
- Er mag niet onder de afzuigkap geflambeerd worden: brandgevaar.
- Het apparaat mag worden gebruikt door kinderen ouder dan 8 jaar en door personen met een lichamelijke, zintuiglijke of geestelijke beperking of met onvoldoende ervaring en kennis, mits ze onder toezicht staan en goed geïnstrueerd zijn over een veilig gebruik van het apparaat en de gevaren die ermee samenhangen. Zorg ervoor dat kinderen niet met het apparaat spelen. Reiniging en onderhoud door de gebruiker mogen niet door kinderen worden uitgevoerd, tenzij ze onder toezicht staan.
- Dit apparaat mag niet gebruikt worden door personen (waaronder kinderen) met geestelijke, lichamelijke of zintuiglijke beperkingen, of door personen zonder ervaring en kennis, tenzij ze onder toezicht staan of worden geïnstrueerd over het gebruik van het apparaat door personen die verantwoordelijk zijn voor hun veiligheid.




- “ **LET OP:** tijdens het gebruik van de kooktoestellen kunnen de toegankelijke delen erg heet worden ”.

ONDERHOUD

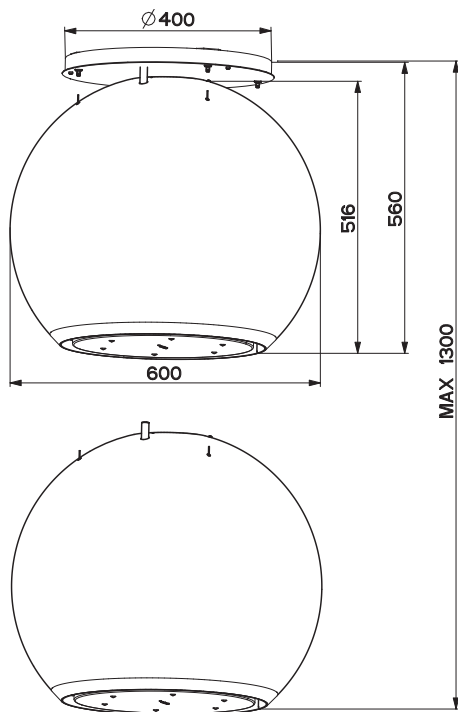
- Schakel het apparaat uit of koppel het los van het elektriciteitsnet alvorens reinigungs- of onderhoudswerkzaamheden uit te voeren.
- De filters reinigen en/vervangen na de aangegeven tijdsperiode (brandgevaar).
- De vetfilters moeten om de 2 maanden worden schoongemaakt, of vaker bij zeer intensief gebruik. Ze kunnen in de afwasmachine worden gewassen.
- Het actieve koolstoffilter is niet afwasbaar of regenererbaar en moeten ongeveer om de 4 maanden worden vervangen, of vaker bij zeer intensief gebruik.
- 'Er bestaat brandgevaar als de reiniging niet volgens de voorschriften wordt uitgevoerd.'
- Maak de afzuigkap schoon met een vochtige doek en een mild vloeibaar schoonmaakmiddel.



Het symbool  op het product of op de verpakking wijst erop dat dit product niet als huishoudafval mag worden behandeld. Het moet echter naar een speciaal verzamelcentrum worden gebracht waar elektrische en elektronische apparatuur wordt gerecycled. Als u ervoor zorgt dat dit product op de correcte manier wordt verwijderd, voorkomt u mogelijk voor mens en milieu negatieve gevolgen die zich zouden kunnen voordoen in geval van verkeerde afvalbehandeling. Neem voor meer details over het recyclen van dit product contact op met uw gemeente, de plaatselijke vuilophaaldienst of de winkel waar u het product hebt gekocht.

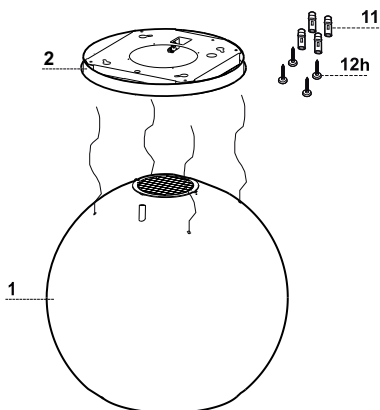
EIGENSCHAPPEN

Buitenafmetingen



Onderdelen (Model Zoom)

Ref.	Aantal	Onderdelen van het apparaat
1	1	Afzuigkap met: Bedieningen, verlichting, filters, motor.
2	1	Steunplaat afzuigkap.
Ref.	Aantal	Installatieonderdelen
11	4	Pluggen $\varnothing 10$
12h	4	Schroeven 4,2 x 44,4
Aantal Documentatie		
1	1	Instructieboekje



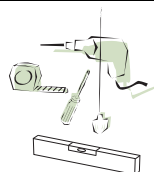
INSTALLATIE

Deze afzuigkap kan in de volgende uitvoeringen aan het plafond/de draagconsole boven een eilandkookplaat (min. 650 mm) worden geïnstalleerd:

- **Model met luchtcirculatie:** interne recirculatie.

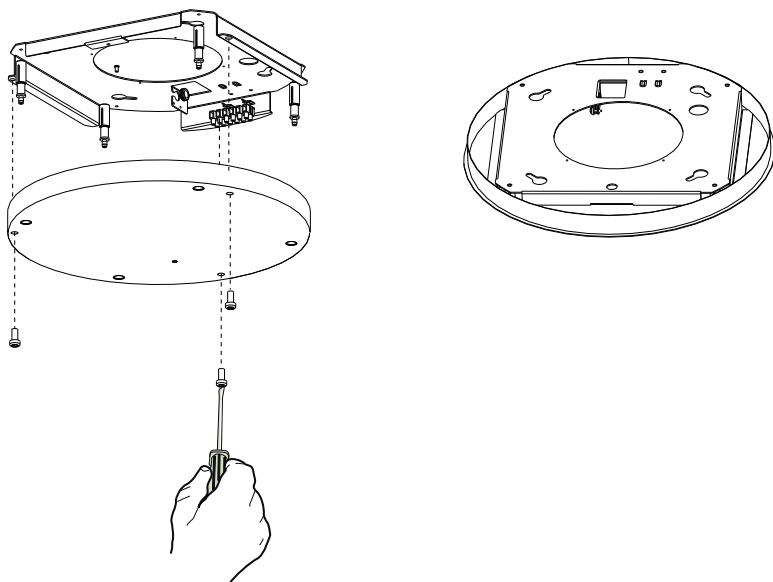
Volgorde van de installatiewerkzaamheden

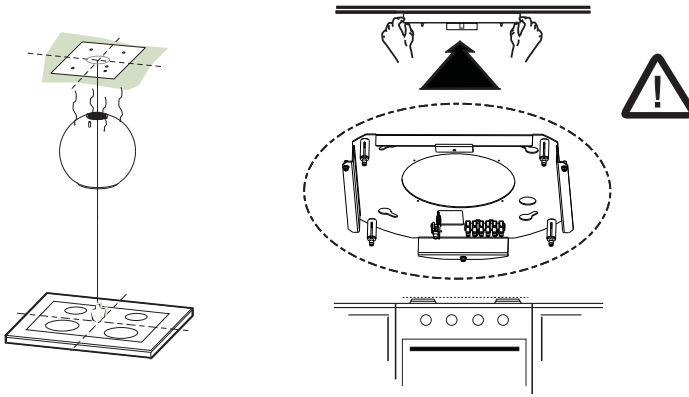
- Voorbereiden van de installatie
- Gaten boren in het plafond/de draagconsole en bevestiging steunplaat
- Aansluitingen
- Montage van de afzuigkap
- Controle van de werking
- Verwerking van het verpakkingsafval



Opening van de plaat en voorbereiding voor de montage

- Draai de schroeven los die de plaat aan de afdekking bevestigen.
- Neem de plaat vast en plaats hem in de juiste richting, zoals in de afbeelding is weergegeven.





Gaten boren in het plafond/de draagconsole en bevestiging plaat

GATEN BOREN IN HET PLAFOND/DE DRAAGCONSOLE

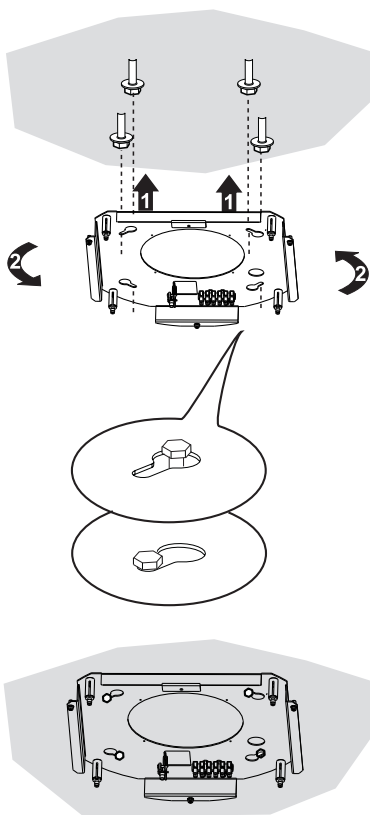
- Bepaal met behulp van een paslood het middelpunt van de kookplaat en kruis dit aan op het plafond/de draagconsole.
- Zet de plaat tegen het plafond/de draagconsole. Plaats hem in de juiste richting, zoals in de afbeelding is weergegeven.
- Kruis het midden van de gaten van de plaat aan.
- Boor de volgende punten:
 - Plafond van massief beton: afhankelijk van gebruikte betonpluggen.
 - Bakstenen plafond met luchtkamer, met een stevige dikte van 20 mm: boor een gat van \varnothing 10 mm (plaats onmiddellijk de bijgeleverde pluggen **11**).
 - Plafond met houten balken: afhankelijk van de gebruikte houtschroeven (niet bijgeleverd).
 - Houten draagconsole, met een stevige dikte van 15 mm: boor gaten van \varnothing 7 mm.
 - Doorvoer van netsnoer: boor gaten van \varnothing 10 mm.
- Draai twee schroeven kruislings aan en laat 4-5 mm afstand van het plafond over:
 - voor massief beton, betonpluggen, niet-bijgeleverd.
 - voor bakstenen met luchtkamer, met een stevige dikte van ongeveer 20 mm, schroeven **12h**, bijgeleverd.
 - voor houten balken, houtschroeven, niet bijgeleverd.
 - voor houten draagconsole, schroeven met sluitringen en moeren, niet-bijgeleverd.

BEVESTIGING VAN DE PLAAT

- Til de bevestigingsplaat op en haak de twee eerder aan het plafond bevestigde schroeven in de gaten en draai tot het midden van het stelgat.

Let op: de plaat moet de richting hebben die in de afbeelding is weergegeven

- Haal de twee schroeven aan en draai de andere twee bijgeleverde schroeven aan; voordat u de schroeven definitief aanhaalt, kunt u het onderdeel afstellen door het te draaien. Let er daarbij op dat de schroeven niet uit de zitting van het stelgat raken.
- Het onderdeel moet veilig worden bevestigd, zowel met betrekking tot het gewicht van de kap als wat betreft de belastingen door toevallige duwbewegingen tegen de zijkant van het gemonteerde apparaat. Controleer na de bevestiging of de plaat stevig vast zit.
- In alle gevallen waarin het plafond bij het ophangpunt niet stevig genoeg is, moet de installateur dit verstevigen met geschikte platen en contraplaten die aan structureel stevige delen zijn bevestigd.
- Controleer of de plaat waterpas aan het plafond is bevestigd.



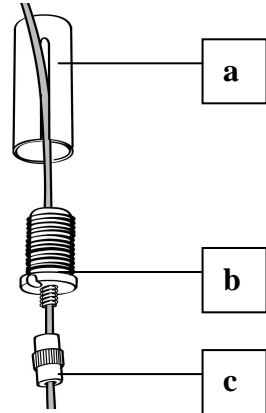
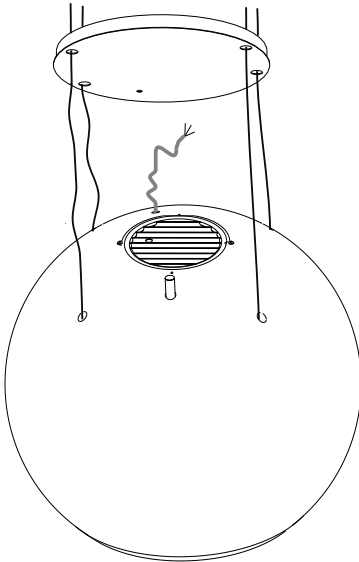
AANSLUITING VAN DE KABELS AFZUIGKAP-PLAAT

NB Voordat u tot installatie overgaat, moet de afzuigkap met behulp van een steun of een tweede persoon op een hoogte van minstens 650 mm van de kookplaat worden gebracht. Let erop de maximale uitschuiflengte van de afzuigkap die in de dimensietekening is aangegeven niet te overschrijden.

⚠ Dit is essentieel, omdat de kabels van de afzuigkap aan de plaat op het plafond **noodzakelijkerwijs** moeten worden aangesloten zonder dat het gewicht van de afzuigkap de structuur belast.

Het bevestigingssysteem van de 4 kabels bestaat uit 3 delen:

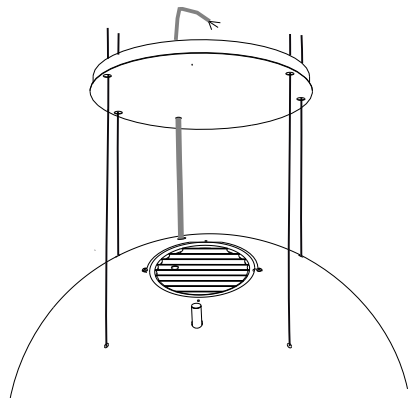
- Aanslagpen met schroefdraad (a) die al op de plafondplaat is gemonteerd.
- Bijgeleverde kabelklembout (b).
- Bijgeleverde veiligheidsknop (c).



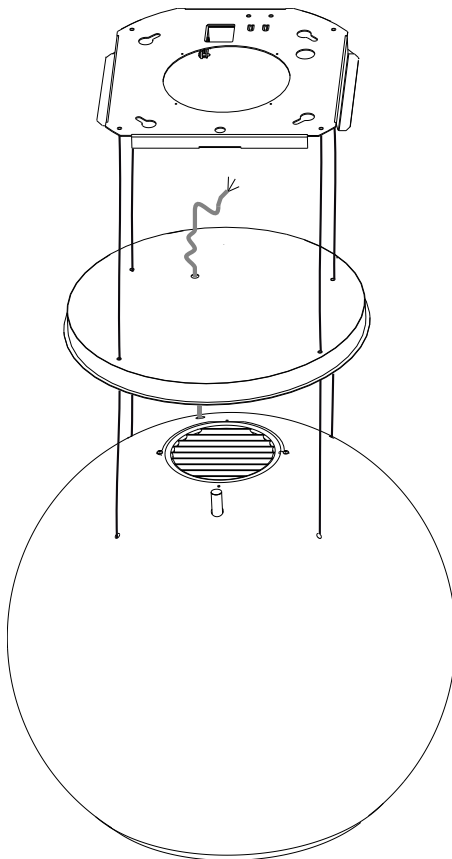
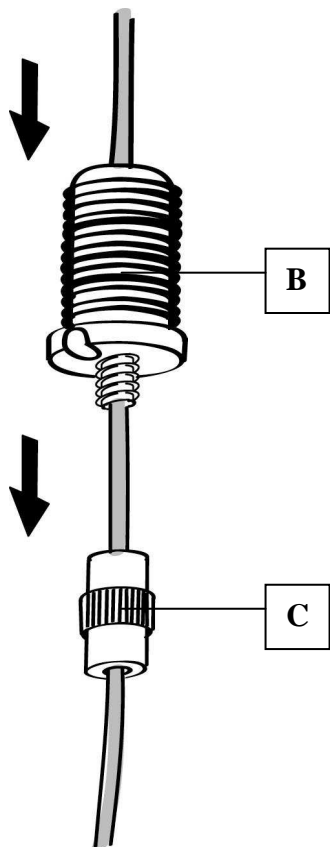
- Voer de 4 kabels (die aan de afzuigkap vastgemaakt zijn) door de gaten van de eerder gedemonteerde plaatafdekking en let erop dat de richting dezelfde is als de plaat die aan het plafond is vastgemaakt.

- Voer het netsnoer van de afzuigkap door het gat in de afdekking.

Let op: breek of verwijder de klem die het netsnoer aan de afzuigkap bevestigt niet

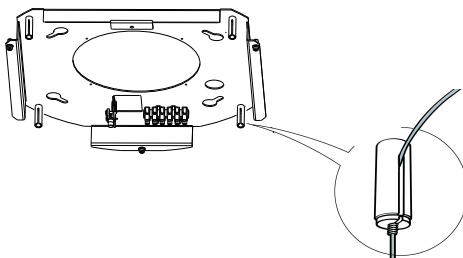


- Let op de richting van de plaat die aan het plafond is bevestigd (de aanslagpen van de plaat moet samenvallen met een gat op de plaatafdekking en op de afzuigkap).

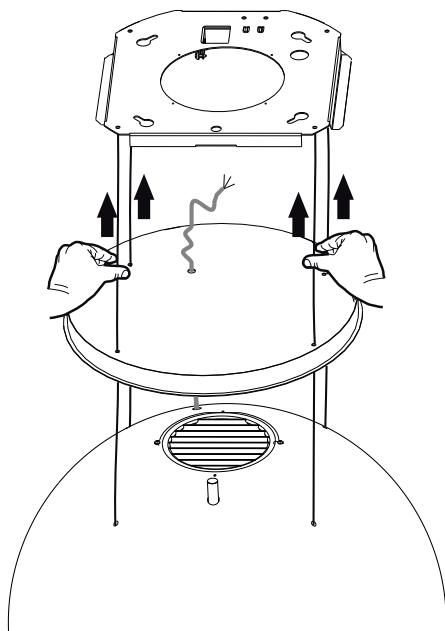


- Breng de veiligheidsknoppen (c) op de kabels aan met het schroefdraad naar boven gericht.
- Breng de kabelklemmbouten (b) op de kabels aan.

- Voer de kabels door de gleuven van de aanslagpennen met schroefdraad (a) en draai de kabelklembouten (b) in de aanslagpennen aan.
- Hierna moet het resultaat voor alle 4 de kabels zijn zoals op de afbeelding is weergegeven.



- Nu zijn alle 4 de kabels op de plaat aangesloten.



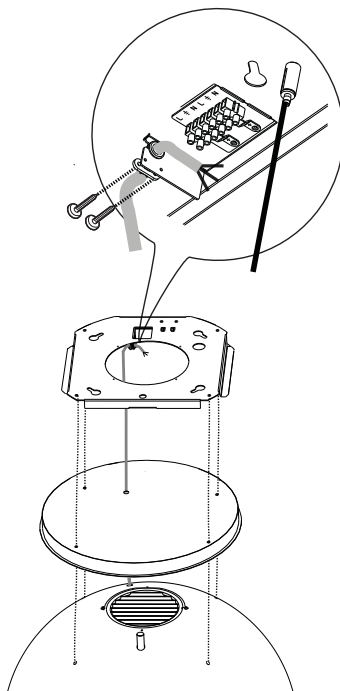
Span de kabels door ze omhoog te duwen, zodat ze door de kabelklembout lopen en uit de gleuf van de aanslagpen met schroefdraad komen.

Dit is mogelijk, omdat de kabelklembout een systeem heeft dat ervoor zorgt dat de kabel slechts in één richting door de bout kan lopen, omdat de beweging in de andere richting wordt geblokkeerd.

Let erop dat de kabels allemaal dezelfde lengte hebben voor een gemakkelijke uitlijning. Bovendien mag de kabel linksvoor niet losser gespannen zijn dan de anderen.

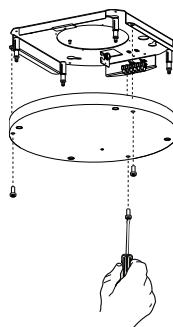
BEVESTIGING VAN HET NETSNOER

- Span het netsnoer en bevestig het aan de beugel op de plafondplaat met behulp van het lipje dat al met 2 schroeven is gemonteerd.
- Klem de rubber kabeldoorvoer die al op het netsnoer is geplaatst in de gleuf om toekomstige schade te voorkomen.
- Sluit de afzuigkap op het elektriciteitsnet aan met een tweepolige schakelaar ertussen met een opening tussen de contacten van minstens 3 mm.
- Verwijder de vetfilters (zie par. 'Onderhoud') en controleer of de stekker van het netsnoer correct in de aansluiting van de afzuiginrichting is gestoken.
- Nu kunt u de klemband die het netsnoer aan de afzuigkap blokkeert doorknippen.



MONTAGE VAN DE PLAATAFDEKKING

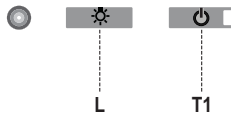
- Schroef de afdekking weer aan de plaat vast met de 4 eerder verwijderde schroeven.



LUCHTAFVOER MODEL MET LUCHTCIRCULATIE

- Open de verlichtingsunit door aan de groef te trekken.
- Verwijder het vetfilter.
- Controleer of er geurfilters met actieve koolstof aanwezig zijn.

Bedieningspaneel



Toets	Functie	Display
L	Schakelt de lichten in/uit.	-
T1	Afzuigkap omlaag Als deze toets 2 seconden wordt ingedrukt, gaat de afzuigkap omhoog. Bij een korte druk op de toets: aan-uit motor.	Aan/Uit
	Afzuigkap omhoog Eerste druk: de afzuigkap daalt. Tweede druk: stop afzuigkap. Nadat de beweging gestopt is, wordt de motor op de tweede snelheid ingeschakeld.	Uit/Uit

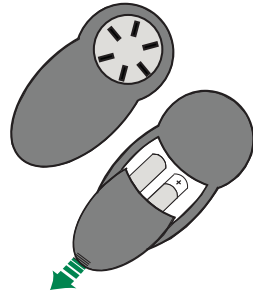
De elektronica herkent twee soorten storingen en geeft het bijbehorende signaal

Led T1	
Langzaam knipperen	<p>De maximale stroomopname is overschreden: in geval van overbelasting wordt de storing gesignaleerd doordat de led T1 op het toetsenbord om de 2 seconden gaat knipperen. Controleer of de afzuigkap niet in zijn beweging gehinderd wordt. Deze signalering blijft actief tot opnieuw de opening/sluiting van de afzuigkap wordt bediend.</p>
Snel knipperen	<p>Tussenkomen van de veiligheidsmicroschakelaar tijdens de opening: bij tussenkomen van de veiligheidsmicroschakelaar wordt de storing gesignaleerd door de led T1, die snel knippert (om de 250 ms). Dit betekent dat de afzuigkap tot voorbij de aanslag is gegaan..... Neem contact op met de technische servicedienst!</p> <p>Tijdens deze storing zijn de functies van de afzuigkap (lichten en motor) nog steeds toegankelijk en bij ingeschakelde motor blijft de led T1 knipperen om aan te geven dat de storing nog steeds aanwezig is.</p>

AFSTANDBEDIENING







Dit apparaat kan met behulp van een afstandsbediening worden bestuurd. Deze werkt op alkaline zinkkoolstof batterijen van 1,5 V van het standaardtype LR03-AAA (niet inbegrepen).

- Bewaar de afstandsbediening niet in de buurt van warmtebronnen.
- De batterijen mogen na gebruik niet in het milieu terecht komen, gooi ze in de hiervoor bestemde afvalbakken.



Bedieningspaneel



Toets	Functie	Display
	De motor wordt in- of uitgeschakeld.	-
	Gesloten afzuigkap: - Bij een korte druk op de toets begint de afzuigkap te dalen - Bij een volgende druk stopt de kap. - Als de beweging gestopt is, wordt de motor op de 2 ^e snelheid ingeschakeld.	-
	Afzuigkap open: - Als 2 seconden op deze toets wordt gedrukt, wordt de stijgende beweging weer ingeschakeld die met de aanslag wordt gestopt. - Door er (kort) op te drukken stopt de beweging (vóór de aanslag). - Door nogmaals kort te drukken: aan-uit motor. - Als de toets 2 seconden ingedrukt wordt gehouden, wordt de stijgende beweging ingeschakeld. - Als de motor ingeschakeld is, stopt eerst de motor en daarna wordt de beweging gestart.	-
	Verlaagt de snelheid van de motor.	-
	Verhoogt de snelheid van de motor.	-
	HOGE SNELHEID - Kan alleen bij ingeschakelde kap geactiveerd worden en als delay of 24h niet actief zijn. - Schakelt de hoge snelheid vanuit elke snelheid in. - Druk opnieuw op dezelfde toets of schakel de motor uit, om de functie uit te schakelen. - De hoge snelheid is ingesteld op 6 minuten. Na 6 minuten keert het systeem automatisch terug naar de eerder ingestelde snelheid.	De led op de motortoets (van de bedieningstoetsen van de kap) knippert 1 maal per seconde.
	Korte druk Delay-functie: Deze functie kan alleen geactiveerd worden als de hoge snelheid of 24h niet actief zijn. Schakelt de totale stopmodus van de afzuigkap na 30 minuten in (motor+verlichting): om de Delay-functie uit te schakelen kunt u opnieuw op dezelfde toets drukken of de motor uitschakelen.	De led op de motortoets (van de bedieningstoetsen van de kap) knippert om de 0,5 seconde.
	Ingedrukt gedurende 2 sec 24H-functie: Deze functie kan alleen geactiveerd worden als de hoge snelheid of Delay niet actief zijn. Schakelt de 24h-functie elk uur 10 minuten in gedurende 24 uur. Na deze tijd wordt de functie uitgeschakeld.	De led op de motortoets (van de bedieningstoetsen van de kap) knippert om de 2 seconden.
	Schakelt de verlichting van de afzuigkap in/uit.	-

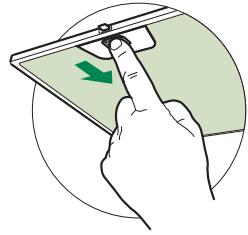
ONDERHOUD

Metalen vetfilter

Het vetfilter kan in de vaatwasser worden gewassen en moeten minstens ongeveer iedere 2 maanden worden gewassen, of vaker bij veelvuldig gebruik.

REINIGEN VAN HET METALEN VETFILTER

- Open de verlichtingsunit door aan de groef te trekken.
- Verwijder het filter door het naar de achterkant van de unit te duwen en tegelijkertijd naar beneden te trekken.
- Was het filter zonder het te buigen en laat het drogen alvorens het weer te monteren.
- Monteer het filter weer en houd de handgreep daarbij naar het zichtbare deel aan de buitenkant.
- Sluit de verlichtingsunit weer.

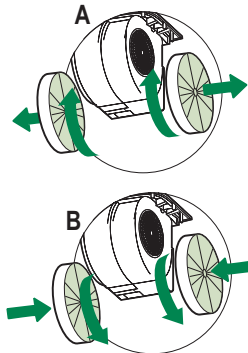


Geurfilters met actieve koolstof (Model met luchtcirculatie)

Het filter kan niet worden gewassen of geregenereerd en moet ongeveer om de 4 maanden worden vervangen, of vaker bij veelvuldig gebruik.

VERVANGING

- Open de verlichtingsunit.
- Verwijder de vetfilter.
- Verwijder de verzadigde geurfilters met actieve koolstof zoals aangegeven (A).
- Monteer de nieuwe filters zoals aangegeven (B).
- Monteer het vetfilter en de verlichtingsunit weer.



Verlichting

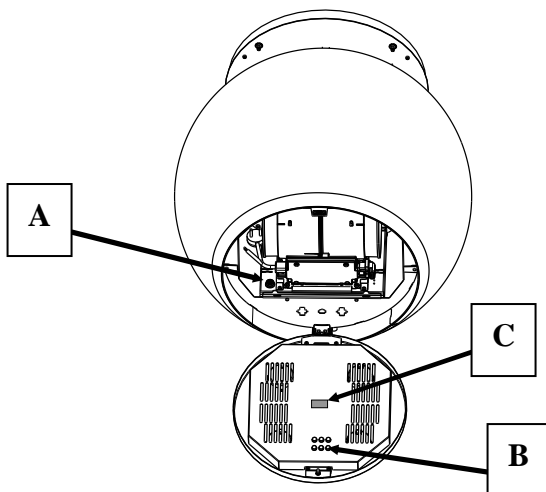
- Neem voor de vervanging contact op met de klantenservice ('Wend u voor de aankoop tot de klantenservice').

Extra aanwijzingen

Verlichting van de afzuigkap

De kleur en de sterkte van de verlichting van de afzuigkap kunnen worden afgesteld

- Open de verlichtingsunit door aan de groef te trekken.
- Stel de verlichting af met de knoppen van het toetsenbord **B** volgens de aanwijzingen op etiket **C**.

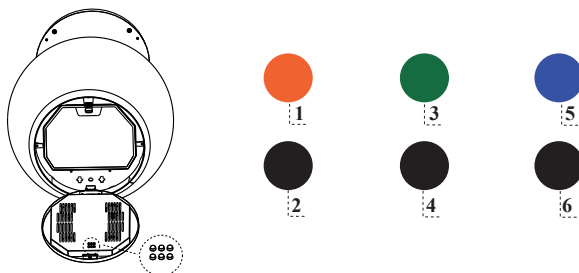


Handelingsprocedure bij storingen van de beweging

1. Controleer of de zekering correct ingeschakeld en niet doorgebrand is. Open voor een eventuele vervanging de verlichtingsunit en draai de zekeringhouder los. Vervang hem door een exemplaar met dezelfde eigenschappen (ref. A).
2. Controleer of de afzuigkap waterpas is geïnstalleerd.
3. Controleer of de vier kabels allemaal op dezelfde manier gespannen zijn.

Als bovenstaande handelingen het probleem niet hebben opgelost, neem dan contact op met de klantenservice.

Instelling van de verlichting van de afzuigkap



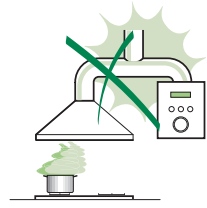
Toets	Kleur	Functie
1	Rood	Regelt de lichtsterkte van de rode kleur. De lichtsterkte neemt toe als de toets ingedrukt wordt gehouden of af bij elke druk. De voor de lamp geselecteerde kleur knippert kort om de maximale en minimale lichtsterkte aan te geven.
2	Zwart	Regelt de snelheid van de kleurverandering bij gebruik van beide programma's van toets 4. Bij elke druk neemt de snelheid toe of af. De snelheidsafname wordt gesignaleerd door een korte knippering. De programma's worden uitgeschakeld met een druk op toets 6.
3	Groen	Regelt de lichtsterkte van de groene kleur. De lichtsterkte neemt toe als de toets ingedrukt wordt gehouden of af bij elke druk. De voor de lamp geselecteerde kleur knippert kort om de maximale en minimale lichtsterkte aan te geven.
4	Zwart	Regelt de 2 programma's voor de kleurverandering: In elkaar overlopend of Afwisselend. De programma's worden uitgeschakeld met een druk op toets 6.
5	Blauw	Regelt de lichtsterkte van de blauwe kleur. De lichtsterkte neemt toe als de toets ingedrukt wordt gehouden of af bij elke druk. De voor de lamp geselecteerde kleur knippert kort om de maximale en minimale lichtsterkte aan te geven.
6	Zwart	On – Off Verlichting Aanvankelijk is de kleur van de afzuigkap bij On wit. Dit kan naar wens gewijzigd worden door de sterkte van de kleuren met de toetsen (1-3-5) toe of af te laten nemen. Om naar de beginsituatie terug te keren, verhoogt u de lichtsterkte van alle 3 de kleuren tot het maximum met de toetsen (1-3-5). Door 3 seconden op de toets te drukken kan de huidig ingestelde kleur in het geheugen worden opgeslagen.

TAVSİYELER VE ÖNERİLER

- △ Kullanım talimatları, bu ev aletinin çeşitli modelleri için geçerlidir. Aynı şekilde, bu ürünle ilgisi olmayan özelliklerin tanımlarını da görebilirsiniz.

MONTAJ

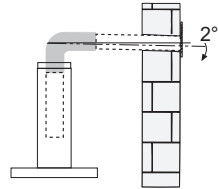
- Yanlış veya hatalı montajdan doğan yaralanma ve hasarlar için imalatçı yükümlü olmayacaktır.
- Pişiricinin üst kısmı ve davlumbaz arasındaki minimum güvenlik mesafesi 650 mm'dir. (Bazı modeller daha alçak mesafeye monte edilebilir, lütfen çalışma boyutları ve montaj paragraflarına bakınız.)
- Ana voltajın davlumbazın iç tarafına sabitlenmiş olan derecelendirme plakasındaki ile uyumlu olduğunu kontrol edin.



- I. sınıf ev aletleri için, ev güç kaynağının yeterli topraklama sağladığından emin olun.

Aspiratörü egzoz bacasına minimum çapı 120 mm olan bir boru vasıtasıyla bağlayın. Baca hattı mümkün olduğu kadar kısa olmalıdır.

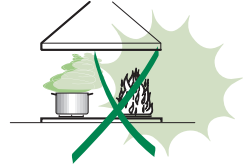
- Davlumbazı tutuşabilir gazlar taşıyan egzoz kanallarına bağlamayın (kazanlar, şömineler, vs.).
- Eğer davlumbaz elektrikli olmayan ev aletleri ile birlikte kullanılacaksa (ör. gazlı ev aletleri), egzoz gazının geri tepmesini engellemek adına odada yeterli derecede bir havalandırma olması garanti edilmelidir. Temiz havanın girişini garanti etmek adına mutfakta temiz hava girişini sağlayan bir açıklık olmalıdır. Davlumbazın elektrik dışında enerji veren ev aletleri ile birlikte kullanılması durumunda, davlumbazın gazları geri yollamasını engellemek adına odadaki negatif basınç 0,04 barı aşmamalıdır.
- Güç kabloşuna zarar gelmesi durumunda, herhangi bir riski engellemek adına imalatçı veya teknik servis birimince değiştirilmelidir.
- Hava, gaz veya başka yakıtların tahliyesi için kullanılan borulara deşarj edilmemelidir (havayı sadece odaya tahliye eden ev aletleri için geçerli değildir).



- Gaz ocağının montaj talimatlarında yukarıda belirtilenden daha fazla bir mesafe belirtilmişse, buna dikkat edilmesi gerekir. Hava deşarjı ile ilgili yönetmeliklere uyulması gerekir.
- Davlumbazı desteklemek için sadece vida ve küçük parçalar kullanın.
Uyarı: İşbu talimatlar uyarınca vidaları veya sabitleme aletlerini kullanmamak elektrik tehlikelerine yol açabilir.
- Davlumbazı, arasında en az 3mm irtibat mesafesi olan iki kutuplu bir anahtar vasıtasıyla cereyana bağlayın.

KULLANIM


- Davlumbaz mutfak kokularını gidermek adına ev kullanımı için tasarlanmıştır.
- Davlumbazı asla tasarlandığı amaçlar haricinde kullanmayın.
- Davlumbaz çalışırken altında boşuna yanan yüksek ateş asla bırakmayın.
- Ateş yoğunluğunu sadece tencere altında kalacak ve yanlardan taşmadığından emin olacak şekilde ayarlayın.
- Fritözler kullanım esnasında sürekli izlenmelidir: fazla ısınmış yağ, ateş alabilir.
- Davlumbaz altında flambe yapmayınız; yangın riski.
- Bu ev aleti, 8 yaş üstü çocuklar ve fiziksel, duyuşsal veya akli yetersizliği olan veya tecrübe ve bilgi eksikliği olan kişilerce bu kişilerin güvenliğinden sorumlu olan kişilerin gözetimi altında veya ev aletinin kullanımı ile ilgili talimatlar kendilerine verildiği durumlarda kullanılabilir. Çocuklar, ev aleti ile oynamamalıdır. Temizleme ve bakım gözetiminde olmadıklarında çocuklarca yapılmayacaktır.
- Bu ev aleti, psikolojik, fiziksel, duyuşsal sorunları olan veya tecrübe ve bilgi eksikliği olan kişilerce (çocuklar dahil), güvenliklerinden sorumlu birisi tarafından gözlemlenmedikçe ve talimat verilmedikçe kullanılmamalıdır.



- “ **DİKKAT:** Pişirme aletleri ile kullanıldıklarında temas edilebilir parçalar ısınabilir.”

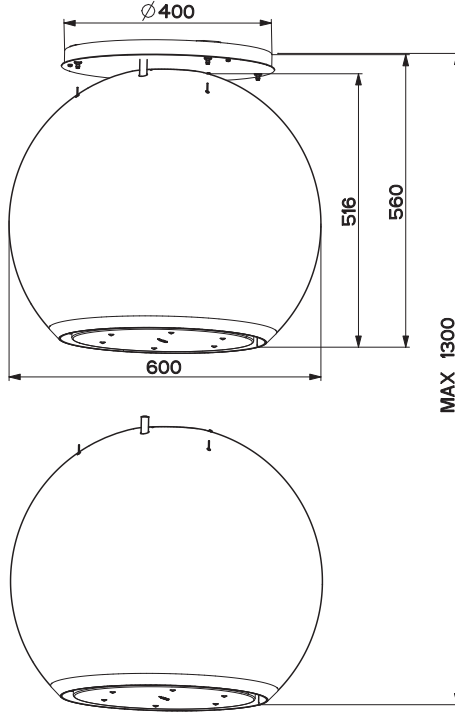
BAKIM

- Herhangi bir bakım işlemine başlamadan evvel ev aletini kapatın veya ana güç kaynağından fişini çekin.
- Belirlenmiş zaman sonunda filtreleri temizleyin ve/veya değiştirin (Yangın tehlikesi).
- Yağ filtreleri her 2 ayda bir veya yoğun kullanım olması durumunda daha sık olarak temizlenmelidir ve bulaşık makinesinde yıkanabilirler.
- Aktif karbon filtresi yıkanabilir değildir, yeniden kullanılamaz ve her 4 ayda bir veya yoğun kullanım olması durumunda daha sık olarak değiştirilmelidir.
- "Temizliğin talimatlara uygun olarak yapılmadığı durumlarda yangın riski vardır."
- Davlumbazı nemli bir bez ve nötr sıvı deterjanla temizleyin.

Ürün üstündeki veya paketindeki  sembolü, bu ürünün evsel atık olarak değerlendirilmeyeceğinin göstergesidir. Elektrikli ve elektronik ekipmanın geri dönüşümü için uygun toplama noktasına teslim edilmelidir. Bu ürünün doğru şekilde bertaraf edildiğinden emin olarak, bu atık ürününün uygun olmayan şekilde işlenmesinden doğacak çevre ve insan sağlığı için potansiyel olumsuz sonuçların engellenmesine yardımcı olacaksınız. Bu ürünün geri dönüşümü ile ilgili daha detaylı bilgi için lütfen yerel yetkili ofisiniz, evsel atık bertaraf hizmeti veya ürünü satın aldığınız mağaza ile irtibata geçiniz.

ÖZELLİKLER

Boyutlar

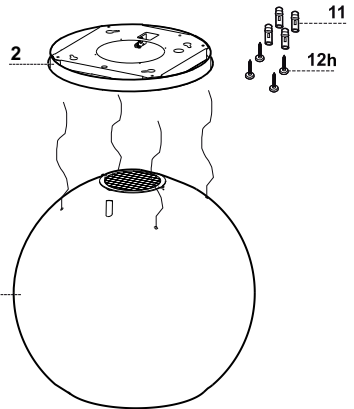


Parçalar

Ref.	Miktar	Ürün Aksamı
1	1	Davlumbaz Gövdesi şunlardan oluşur: Kumandalar, Işıklar, Filtreler, Motor.
2	1	Davlumbaz destek plakası.

Ref.	Miktar	Kurulum Aksamı
11	4	Dübel ø 10
12a	4	Vida 4,2 x 44,4

Miktar	Dokümantasyon
1	Kullanım Kitapçığı



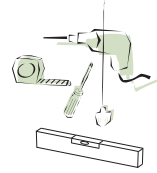
MONTAJ

Bu Davlumbaz bir Pişirme Düzleminin üzerinde (en az 650 mm) Tavana/Rafa monte edilmek üzere ve aşağıdaki şekilde tasarlanmıştır:

- **Filtreli Sistem:** Havayı içeride dolaştırır.

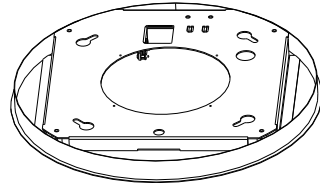
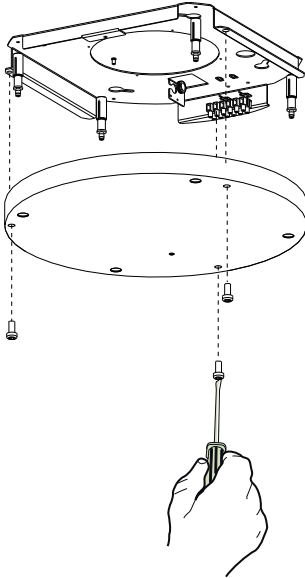
Kurulum İşlem Sırası

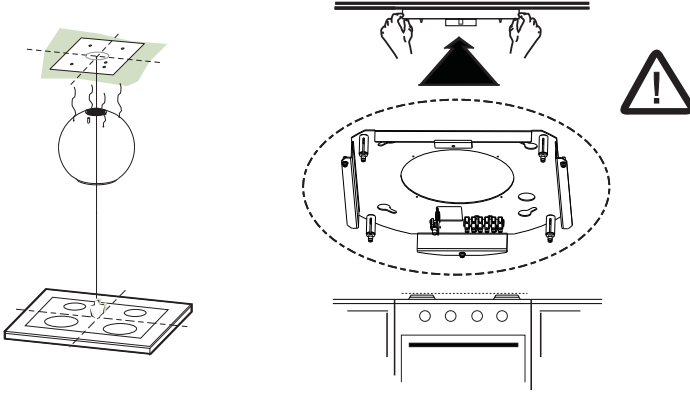
- Kurulum Hazırlığı
- Tavan/Raf Delme ve Montaj Destekleme Plakası
- Bağlantılar
- Davlumbaz Gövdesi Montajı
- Fonksiyon Kontrolü
- Ambalajların Bertaraf Edilmesi



Kapak yuvası ve montaj için hazırlanması

- Plakayı kapağına bağlayan vidaları sökün.
- Plakayı alın ve şekilde gösterildiği gibi doğru yönde yerleştirin.





Tavan/Raf Delme ve Montaj Plakası

TAVAN/RAF DELME

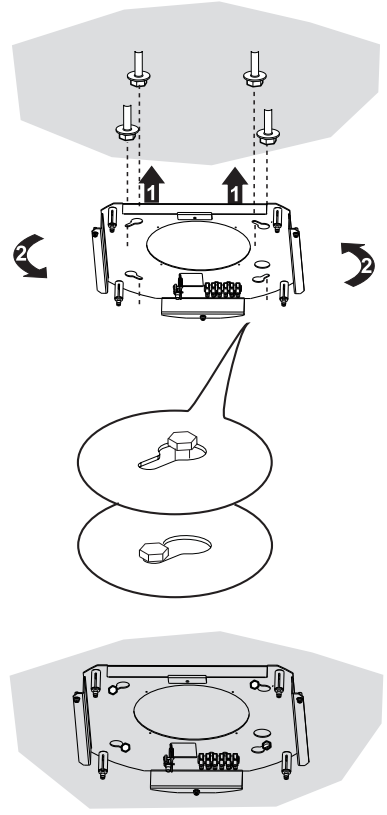
- Bir şakül yardımıyla Pişirme Düzleminin merkezini destek Tavani/Rafı üzerinde işaretleyin.
- Şekilde gösterildiği gibi doğru yönde yerleştirmeye özen göstererek Plakayı Tavana/Rafa dayayın.
- Plaka Deliklerinin merkezlerini işaretleyin.
- Aşağıdaki delikleri delin:
 - Sağlam beton tavanda: kullanılan Beton Dübellerine göre.
 - 20 mm'lik dayanıklı kalınlığa sahip hava odacıklı tuğla tavanda: \varnothing 10 mm delik delin (hemen ürünle birlikte gelen Dübelleri **11** yerleştirin).
 - Ahşap Kirişli Tavan: Kullanılan Ahşap Vidalarına göre (temin edilmez).
 - 15 mm'lik dayanıklı kalınlığa sahip Ahşap Rafta: \varnothing 7 mm delik delin.
 - Güç kaynağı elektrik Kablo Geçişi: \varnothing 10 mm delik delin.
- İki vidayı çaprazlama olarak ve tavana 4-5 mm mesafe bırakacak şekilde vidalayın:
 - sağlam Beton için Beton Dübelleri ürünle birlikte temin edilmez.
 - 20 mm dayanıklı kalınlığa sahip hava odacıklı Tuğla için Vidalar **12h** ürünle birlikte temin edilir.
 - Ahşap Kirişler için Ahşap Vidaları ürünle birlikte temin edilmez.
 - Ahşap Raf için Rondelalı ve Somunlu Vidalar ürünle birlikte temin edilmez.

MONTAJ PLAKASI

- Montaj plakasını kaldırın ve daha önceden tavana açılmış deliklere iki vidayı yerleştirin ve ayarlama deliğinin ortasına kadar çevirin.

Dikkat: Plakanın yönü şekilde gösterildiği gibi olmalıdır.

- İki vidayı sıkın ve ürünle birlikte gelen diğer iki vidayı takın; vidaları iyice sıkmadan önce vidaların ayarlama deliğinin yuvasından dışarı çıkmamasına özen göstererek ve parçayı çevirerek ayarlama işlemlerini gerçekleştirebilirsiniz.
- Montaj işlemi gerek Davlumbazın ağırlığı, gerekse monte edildiği Aparatın olası yanıl hareketlerinin neden olabileceği gerilimler açısından güvenli olmalıdır. Bu nedenle montaj sırasında Plakanın sabit olduğunun kontrol edilmesi gerekir.
- Tavanın, asma noktasında yeterli derecede sağlam olmadığı her durumda, kurulumu yapan kişi burayı uygun plakalarla ve dayanıklı demirlerle güçlendirmelidir.
- Tavandaki dengeleme plakasını kontrol ediniz.



DAVLUMBAZ-PLAKA KABLO BAĞLANTISI

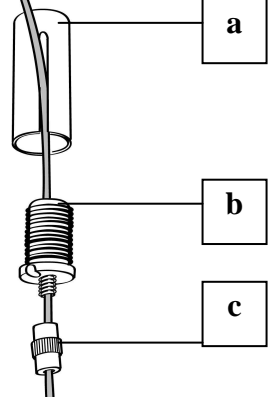
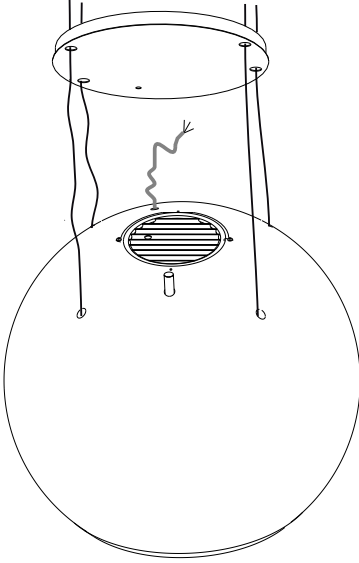
NOT Kurulum işlemine geçmeden önce Davlumbazın bir destekle veya ikinci bir kişinin yardımıyla şişirme düzleminden en az 650 mm yüksekliğe kaldırılması gerekir. Lütfen boyut çiziminde gösterilen davlumbaz için gerekli en yüksek genişlemeyi aşmayın.



Bu uygulama gereklidir çünkü Davlumbaz Kablolarının tavana monte edilmiş Plakaya yapıya ağır gelecek Davlumbaz ağırlığı olmaksızın bağlanması **gerekir**.

4 Kablonun montaj sistemi 3 parçadan oluşur:

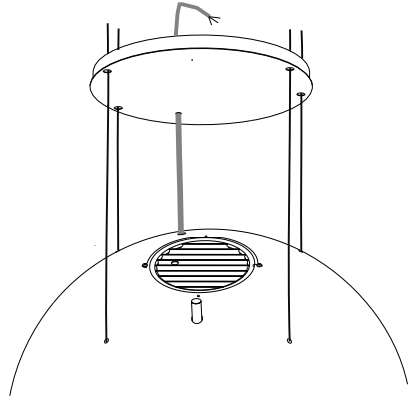
- Tavan Plakasına monte edilmiş dişli mandal (a).
- Ürünle birlikte gelen kablo tutucu vidalar (b).
- Ürünle birlikte gelen güvenlik topuzu (c).



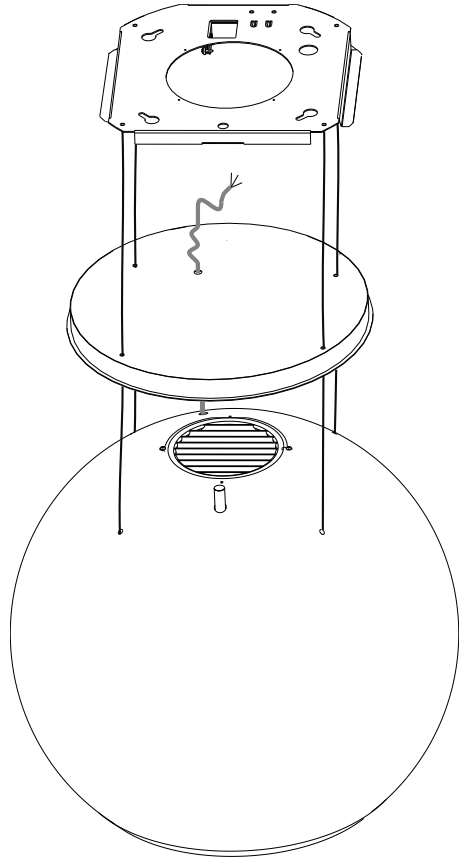
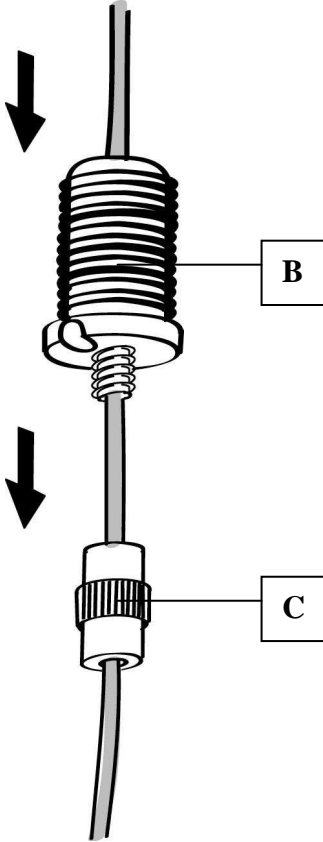
- Hattın tavana monte düzlemdeki ile aynı olduğundan emin olarak 4 kabloyu (Davlumbaz Gövdesine asılıdır) sökmeden önce Plaka Kaplamasının ilgili deliklerinden geçirin.

- Davlumbaz güç kablosunu kapaktaki deliğe geçirin.

Dikkat: Güç kablosunu davlumbaza bağlayan kelepçeyi kırmayın veya çıkartmayın.



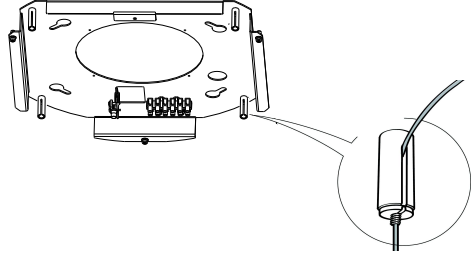
- Tavana monte edilmiş Plakanın yönüne dikkat edin (Plakanın hareket yolu sonu mandalının deliği Plaka Kaplamasında ve Davlumbaz gövdesinde bulunur).



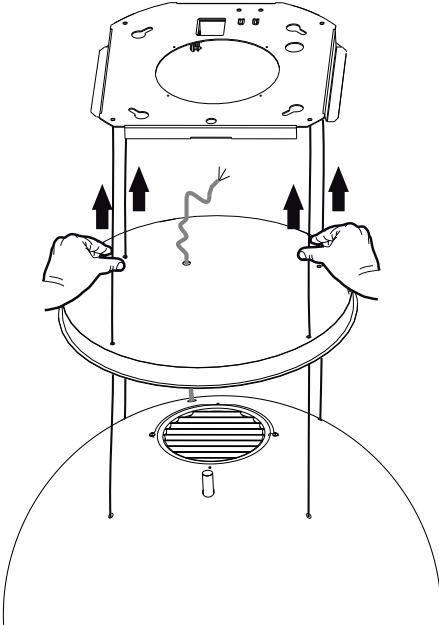
- Güvenlik topuzlarını (c) yukarı doğru dişlerle ilgili kablolara yerleştirin.
- Kablo sabitleme vidalarını (b) ilgili kablolara yerleştirin.

- Kabloları dişli Mandalların deliklerinden (a) geçirip, kablo tutucu Vidaları (b) Mandallara vidalayın.

- İşlem tamamlandığında sonuç 4 Kablunun her biri için şekilde gösterildiği gibi olmalıdır.



- Bu noktaya geldiğimizde 4 Kablunun hepsini Plakaya bağlamış oluruz.



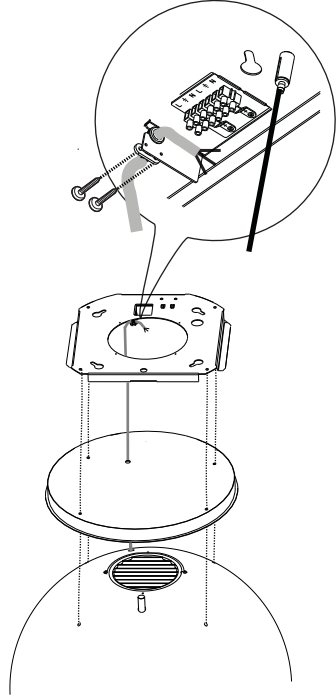
Kablo tutma Vidalarının içinden ve dişli Mandalların deliğinden dışarı doğru kaydıracak şekilde iterek Kabloları gerginleştirin.

Kablo tutma Vidalarında içinden geçen kablunun bir yöne kaydırılmasına izin verirken diğer yöne kaydırılmasını engelleyen bir sistem bulunduğundan bunu yapabilirsiniz.

Son dengeleme işlemini gerçekleştirmek için Kabloların tümünün aynı uzunlukta olmasına ve sol arka halatın diğerlerinden daha kısa gevşek olmamasına dikkat edin.

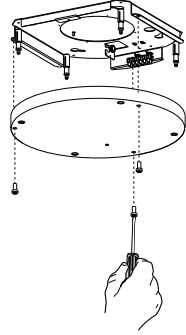
GÜÇ KABLOSUNUN MONTAJI

- Güç kablosunu gerginleştirin ve 2 vida ile monte edilmiş olan dili kullanarak plaka askısına sabitleyin.
- Daha ileride zarar görmesini önlemek için güç kablosunun üstüne geçirilmiş olan kauçuk halkayı yuvasına yerleştirin.
- Davlumbazı, en az 3 mm kontak açılmalı çift kutuplu anahtarla Şebeke Beslemesine bağlayın.
- Yağlanmaya Karşı Filtreleri çıkartın (Bkz. “Bakım” bölümü) ve besleme Kablosunun konektörünün Aspiratöre doğru şekilde bağlandığından emin olun.
- Bu noktada, güç kablosunu davlumbaz gövdesine sabitleyen kelepçeyi kesebiliriz.



PLAKA KAPAĞININ MONTAJI

- Daha önce çıkarılmış olan vidalarla plaka kapağını vidalayın.

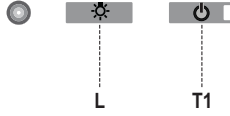


FİLTRELİ SİSTEMDE HAVA ÇIKIŞI

- Aydınlatma Grubunu özel girintisinden çekerek açın.
- Yağ Filtresini çıkarın.
- Koku önleyici Karbon Filtrelerin bulunduğundan emin olun.

KULLANIM

Kumanda panosu



Tuş	Fonksiyonu	Gösterge
L	Işıkları Açar/Kapatır.	-
T1	Davlumbaz Aşağıda 2 saniye basılı tutulduğunda Davlumbazı kaldırır. Kısa süreli basıldığında Motoru Açar/Kapatır.	Yanar/Söner
	Davlumbaz Yukarıda İlk basış: Davlumbaz alçalır. İkinci basış: Davlumbaz durur. Hareket durduğunda motor ikinci Hızda açılır.	Söner/Söner

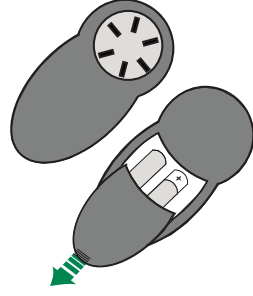
Elektronik devre iki tip arıza algılar ve ilgili sinyali verir

T1 Ledi	
Yavaş yavaş yanıp söner	Akım çekme eşiği aşılmış: Bu durumda aşırı yüklenme durumu olup olmadığı kontrol edilir, arıza tuş takımı üzerinde T1 ledinin her 2 saniyede bir yanıp sönmesiyle bildirilir. Davlumbazın hareketi sırasında hiçbir engel bulunmadığından emin olun. Bu sinyal yeni bir Davlumbaz açılma/kapanma komutuna kadar etkin kalır.
Hızlı hızlı yanıp söner	Açılma aşamasında güvenlik mikro anahtarının müdahalesi: Güvenlik mikro anahtarının müdahale etmesi halinde bu arıza T1 ledinin hızlı hızlı (her 250ms'de bir) yanıp sönmesiyle bildirilir ve Davlumbazın hareket yolunun sonuna ulaştığını bildirir..... Teknik Servisle bağlantı kurun! Bu arıza sırasında davlumbazın fonksiyonlarını (ışıklar ve motor) daima açabilirsiniz ve motor açık olduğunda T1 ledi yanıp sönmeye devam ederek arızanın hala devam ettiğini bildirir.

TELEKUMANDA

Bu cihaza bir telekumanda ile de komut verilebilir; bu kumanda 1,5 Voltluk çinko-karbonlu LR03-AAA tipi standart alkalin pillerle çalışır (dahil değildir).

- Telekumandayı ısı kaynakları yakınında bırakmayınız.
- Pilleri çevreye atmayınız, bunlara ayrılmış çöp toplama kaplarına atınız.



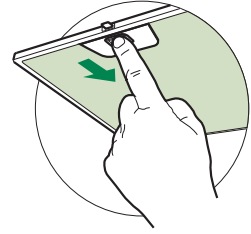
Kumanda panosu



Tuş	Fonksiyonu	Gösterge
	Motor Açma/Kapatma.	-
	Davlumbaz Kapalı: <ul style="list-style-type: none">- Bu tuşa kısa süre basıldığında davlumbaz alçalmaya başlar- Bir daha basıldığında durur. Hareket durdurulduğunda motor 2. hız kademesinde açılır.	-
	Davlumbaz Açık: <ul style="list-style-type: none">- 2 saniye basılı tutulduğunda yükselme hareketi başlar ve hareket yolunun sonunda durur.- Basıldığında (kısa süreli) hareket durur (hareket yolunun sonuna gelmeden).- Daha da kısa süreli basıldığında motoru açar/kapatır.- 2 saniye basılı tutulduğunda yükselme hareketi başlar.- Motor açksa, önce motor durur, ardından hareket başlar.	-
	Motor Hızının Düşürülmesi.	-
	Motor Hızının Artırılması.	-
	YOĞUN <ul style="list-style-type: none">- Yalnızca davlumbaz aşağı inmiş halde ve gecikme veya 24h devrede olmadığında kullanılır.- Herhangi bir hızdayken Yoğun kademeyi başlatabilirsiniz.- Kapatmak için aynı tuşa tekrar basmanız veya motor kapatmanız yeterlidir.- Yoğun hız kademesi 6 dakika sürelidir. 6 dakikann sonunda sistem otomatik olarak daha önce ayarlanan hıza geri döner.	Motor tuşunun üzerinde bulunan led (davlumbaz kumandalarında) saniyede 1 kez yanıp söner.
	Gecikme Fonksiyonuna kısa süreli basıldığında: Yalnızca Yoğun veya 24h seçenekleri devrede değilken kullanılabilir. 30 dakika sonra davlumbazın tamamen (motor+ışıklar) kapatılmasını devreye alır ve devreden çıkarır. Gecikme fonksiyonunu devre dışı bırakmak için aynı tuşa basın veya motoru kapatın.	Motor tuşunun üzerinde bulunan led (davlumbaz kumandalarında) saniyede 0,5 saniyede bir yanıp söner.
	24H Fonksiyonu 2 saniye basılı tutulduğunda: Yalnızca Yoğun veya Gecikme seçenekleri devrede değilken kullanılabilir. 24 saat boyunca her saatte 10 dakika çalıştırma fonksiyonunu devreye alır ve devre dışı bırakır. Süre dolduğunda devre dışı kalır.	Motor tuşunun üzerinde bulunan led (davlumbaz kumandalarında) saniyede 2 saniyede bir yanıp söner.
	Davlumbazın Işıklarını Yakar/Söndürür.	-

Metal yağ filtresi

Bulaşık makinesinde yıkanabilir, en azından yaklaşık her 2 aylık kullanımdan sonra veya daha sık yıkanması gerekir, özellikle yoğun kullanım içindir.



METAL YAĞ FİLTRESİ TEMİZLİĞİ

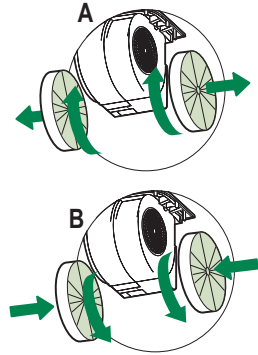
- Aydınlatma grubunu özel girintisinden çekerek açın
- Filtreyi grubun arka bölümüne doğru iterek ve aynı anda aşağıya doğru çekerek çıkartın.
- Bükülmemesine özen göstererek emme panelini yıkayın ve kurmadan önce kurumasını bekleyin.
- Tutamağın dış görünür tarafta olduğuna dikkat ederek filtreleri tekrar monte edin.
- Aydınlatma grubunu tekrar kapatın.

Koku Önleyici Aktif Karbon Filtreler (Filtreli Sistem)

Bu filtreler yıkanamaz ve tekrar kullanılamaz, yaklaşık her 4 aylık kullanımdan sonra veya daha sık yıkanması gerekir, özellikle yoğun kullanım içindir.

DEĞİŞTİRME

- Aydınlatma Grubunu açın.
- Yağ Filtresini çıkarın.
- Dolmuş olan aktif karbon koku önleyici filtreleri resimde gösterildiği şekilde (A) çıkarınız.
- Yeni Filtreleri belirtilen şekilde (B) takınız.
- Yağ Filtresini ve Aydınlatma Grubunu yerine takın.



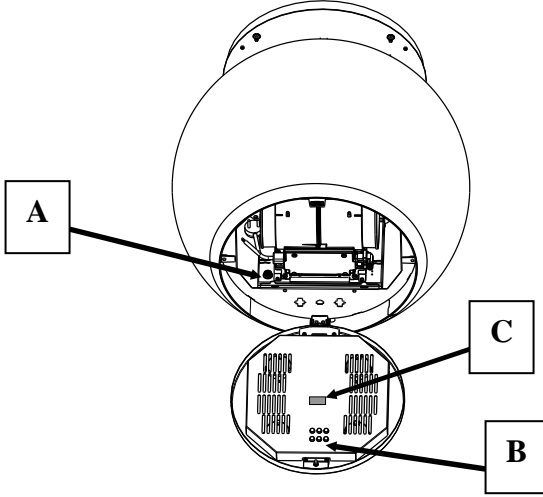
Aydınlatma

- Değiştirmek için Teknik Servisle bağlantı kurun ("Edinmek için teknik servisle bağlantı kurun").

Davlumbaz gövdesinin ışıklandırılması

Davlumbaz gövdesi ışığının renk ve yoğunluğunun ayarlanması mümkündür.

- Aydınlatma grubunu özel girintisinden çekerek açın.
- Etiketteki talimatları C takip ederek, klavye tuşlarını B kullanarak ışıklandırmayı ayarlayın.

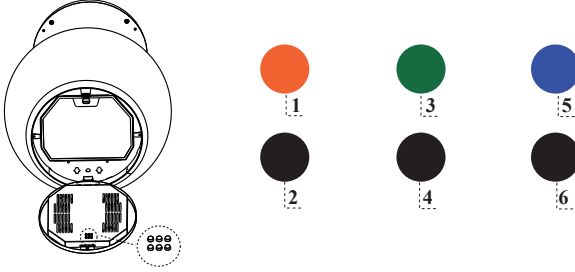


Hareket arızası halinde uygulanacak prosedür

1. Sigortaların doğru şekilde yerleştirilmiş ve sağlam olup olmadığını kontrol edin, değiştirmeniz gerekirse, aydınlatma grubunu açın ve sigorta yuvasının vidalarını sökerek aynı özelliklerdeki sigortalarla değiştirin (Ref.A).
2. Davlumbaz gövdesinin seviyesinin uygun olduğunu kontrol edin.
3. Dört halatın dördünün de aynı şekilde gergin olduğundan emin olun.

Yukarıdaki işlemler sorunu gidermezse, Teknik Servisle bağlantı kurun.

Davlumbaz gövdesinin ışıklandırma kontrolü



Tuş	Renk	Fonksiyon
1	Kırmızı	Kırmızı rengin yoğunluğunu kontrol eder. Tuşa her basıldığında, yoğunluk artar veya azalır. Maksimum ve minimum yoğunluk, lambaderde seçili olan rengin kısa bir süre yanıp sönmesi ile belirtilir.
2	Siyah	Tuş 4'ün her iki programı da kullanıldığında, renk değişimlerinin hızını yönetir. Her seferinde hız yükselir veya azalır. Azalma, kısa yanıp sönme ile belirtilir. 6. Tuşa basılarak devreden çıkartılır.
3	Yeşil	Yeşil rengin yoğunluğunu kontrol eder. Tuşa her basıldığında, yoğunluk artar veya azalır. Maksimum ve minimum yoğunluk, lambaderde seçili olan rengin kısa bir süre yanıp sönmesi ile belirtilir.
4	Siyah	Renklerin değişmesi için 2 programı yönetir: Hızlı veya orta. 6. Tuşa basılarak devreden çıkartılır.
5	Mavi	Mavi rengin yoğunluğunu kontrol eder. Tuşa her basıldığında, yoğunluk artar veya azalır. Maksimum ve minimum yoğunluk, lambaderde seçili olan rengin kısa bir süre yanıp sönmesi ile belirtilir.
6	Siyah	İşık Açık / Kapalı Başlangıçta davlumbazın rengi beyazdır. Renk tuşlarının (1-3-5) yoğunluğunu arttırarak veya azaltarak seçiminizi değiştirebilirsiniz. Baştaki durum olan tüm 3 rengin yoğunluklarını maksimize etmek için tuşlar (1-3-5). Tuşa 3 saniye basılı tutarak, halihazırdaki renk durumunu kaydedebilirsiniz.

CE